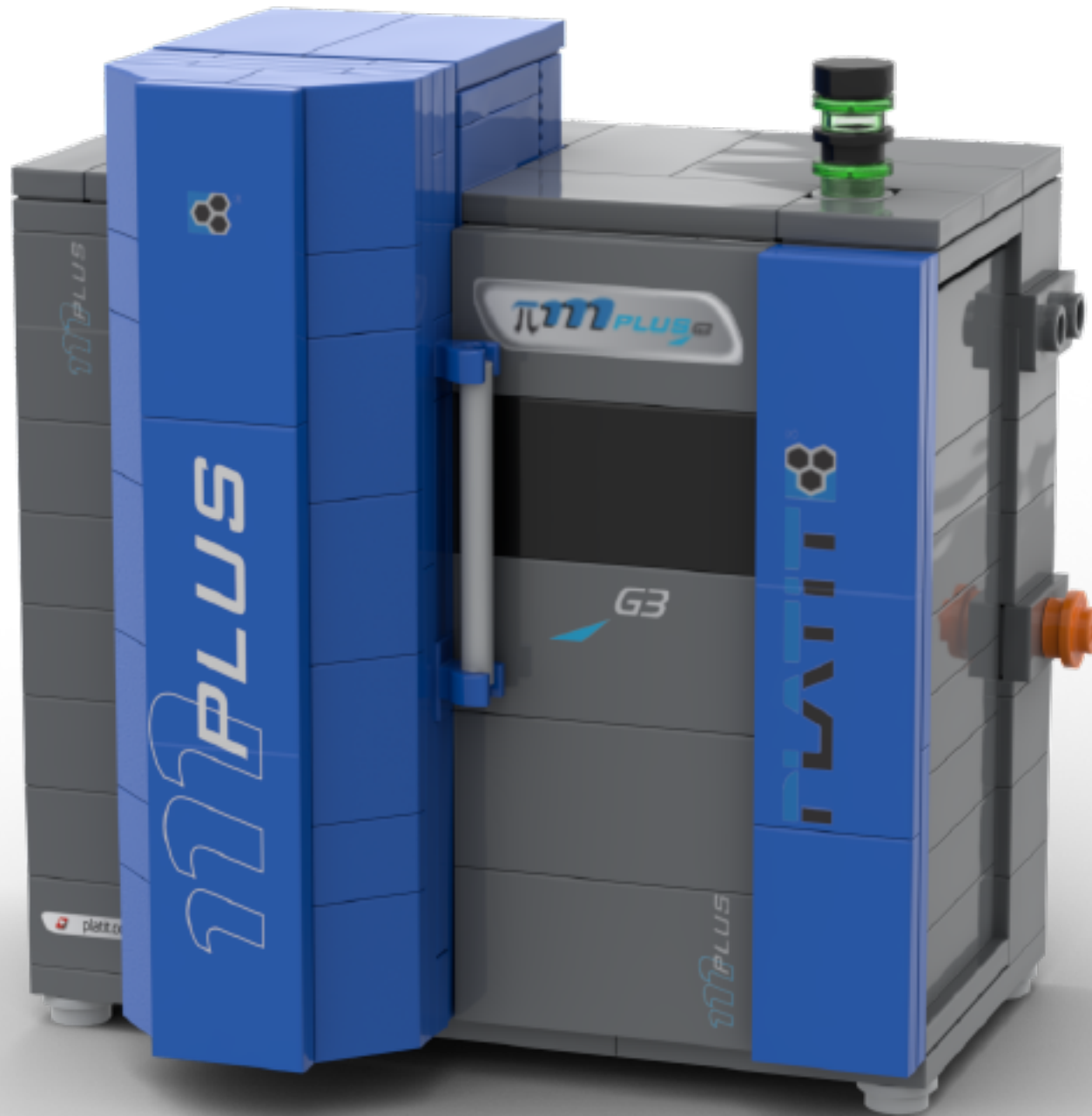


**PLATITE**®



**Pi111 PLUS G3**

## How to build a PVD Coating Unit in 30 min

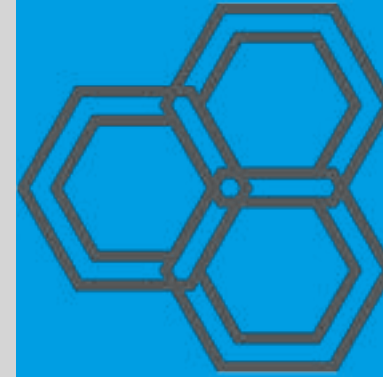
PLATIT is a leading manufacturer of high-tech PVD and PECVD coating units for tools and components. With the new LEGO models of our compact Pi111 PLUS G3, we also lead the way in terms of speed and innovation.

Take a look at the instructions below and contact us for further information.

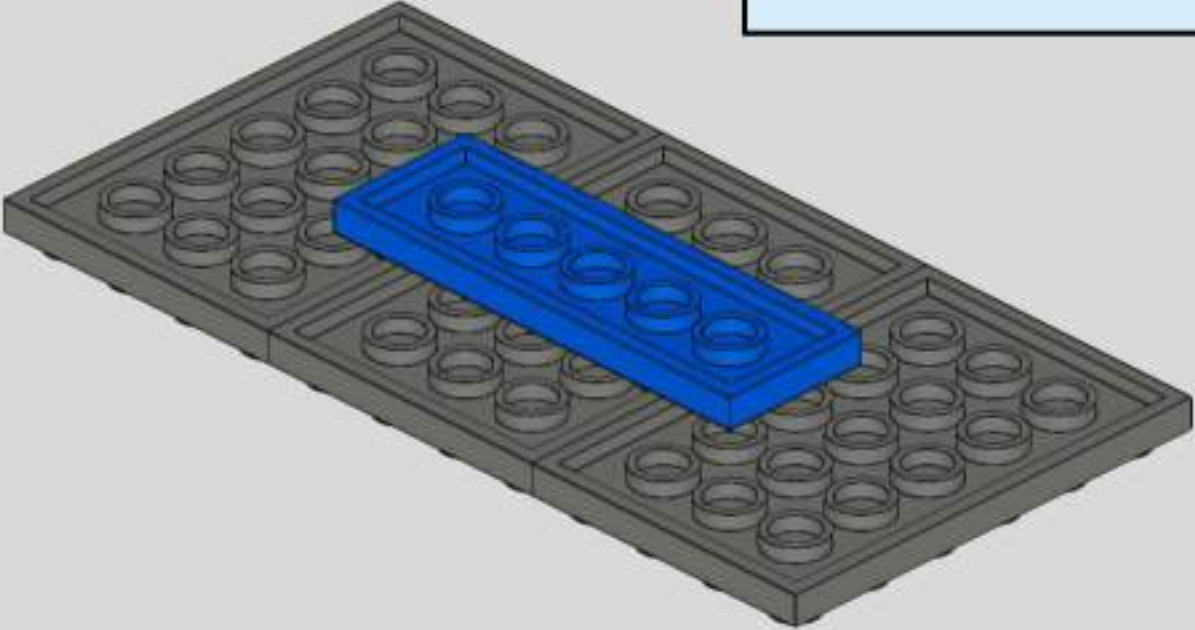
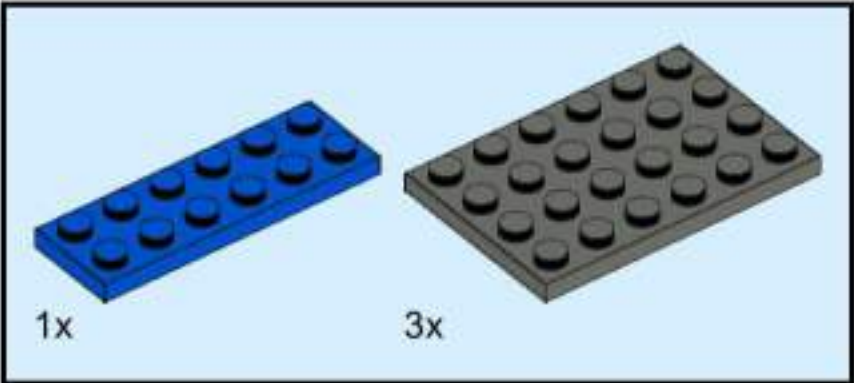
The Pi111 PLUS G3 represents the third generation of our compact PVD coating unit. Its key features are fast cycle times, easy operation and user-friendliness at a favorable price – without compromising coating performance.

Having two rotating cathodes utilizing ARC technology, the unit deposits our selected Signature Coatings at a consistently high level of quality. It is the ideal choice for customers looking to enter the coating world or wanting to add a fast low-volume PVD system to their fleet of machines.

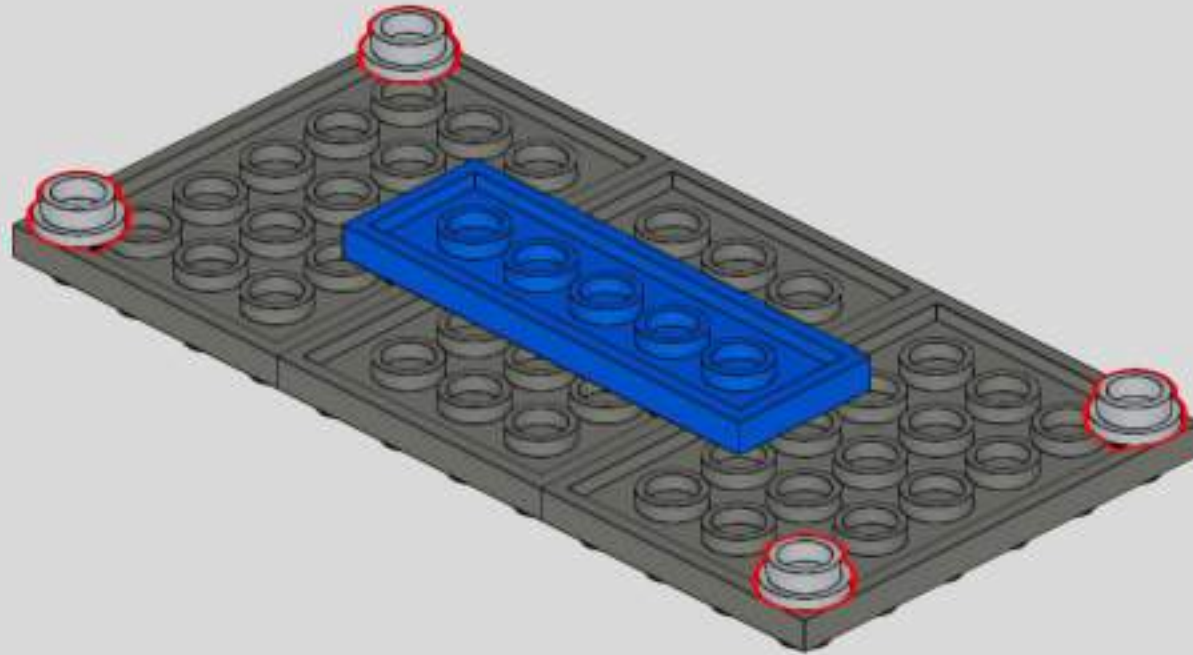
In addition to coating units, we offer turnkey systems as part of our product portfolio. These include complete solutions for upstream and downstream steps such as decoating, edge pre-treatment, cleaning, post-treatment and quality control, making our systems ideally suited for seamless integration into the tool manufacturing and regrinding process.



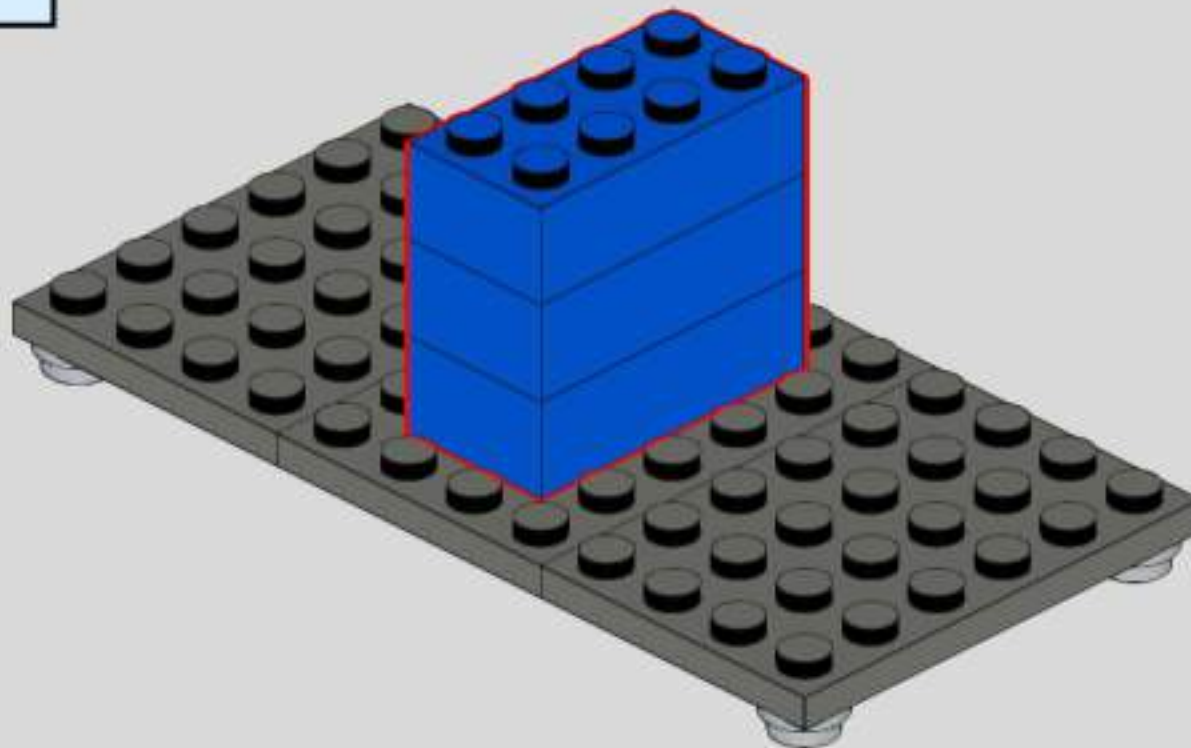
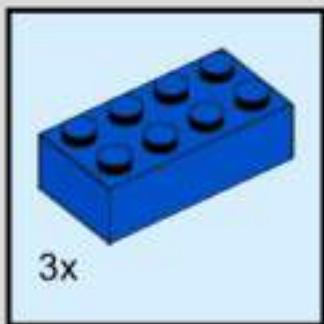
# 1



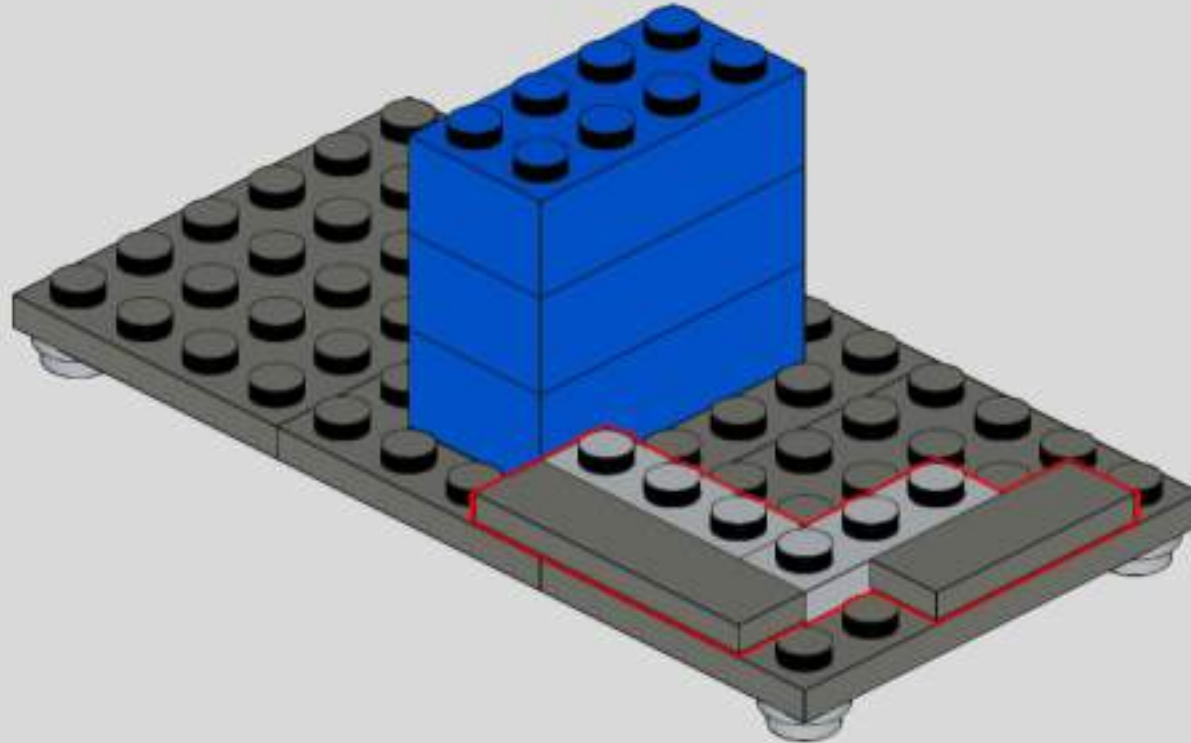
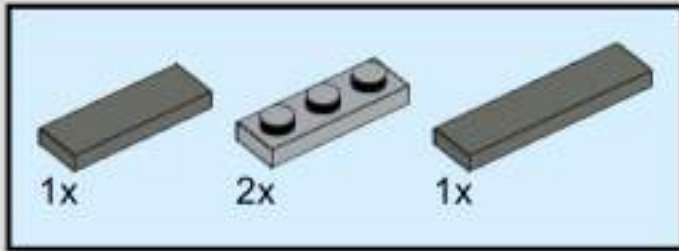
2



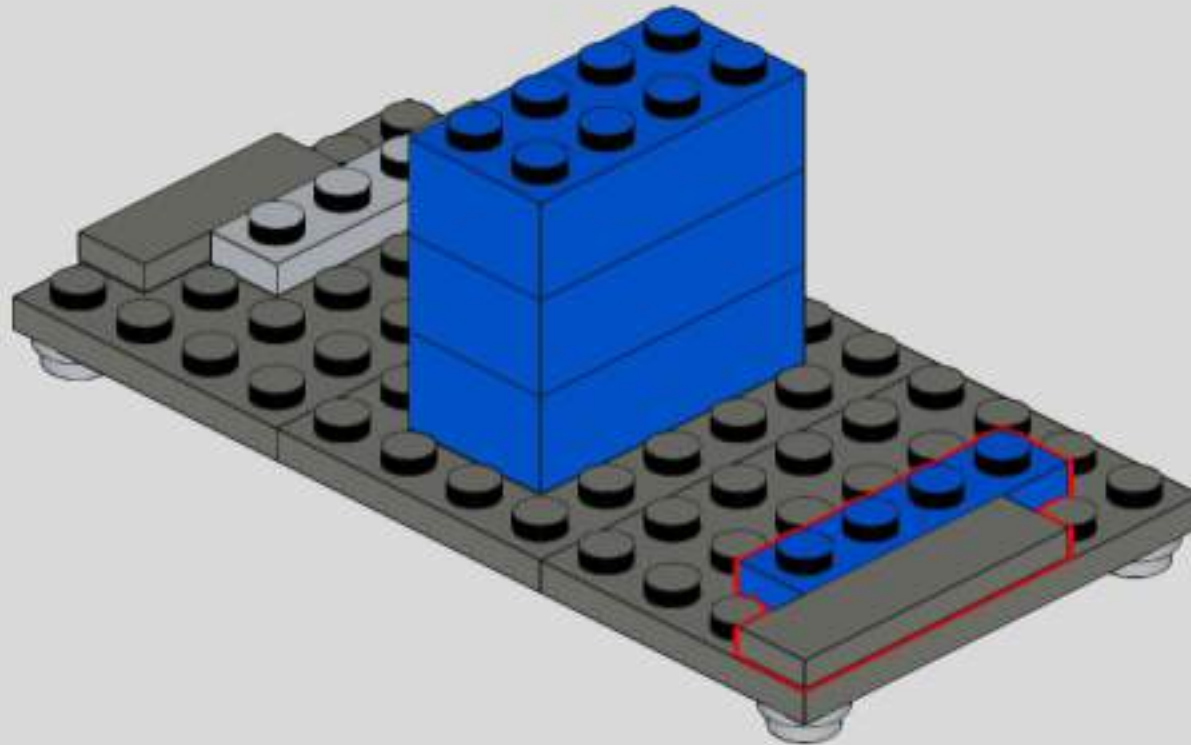
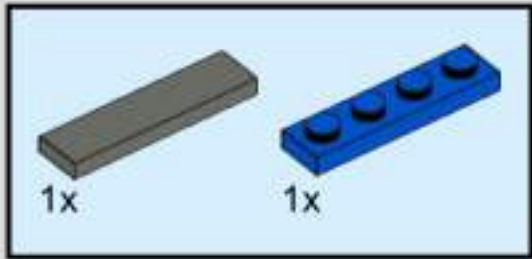
3



4

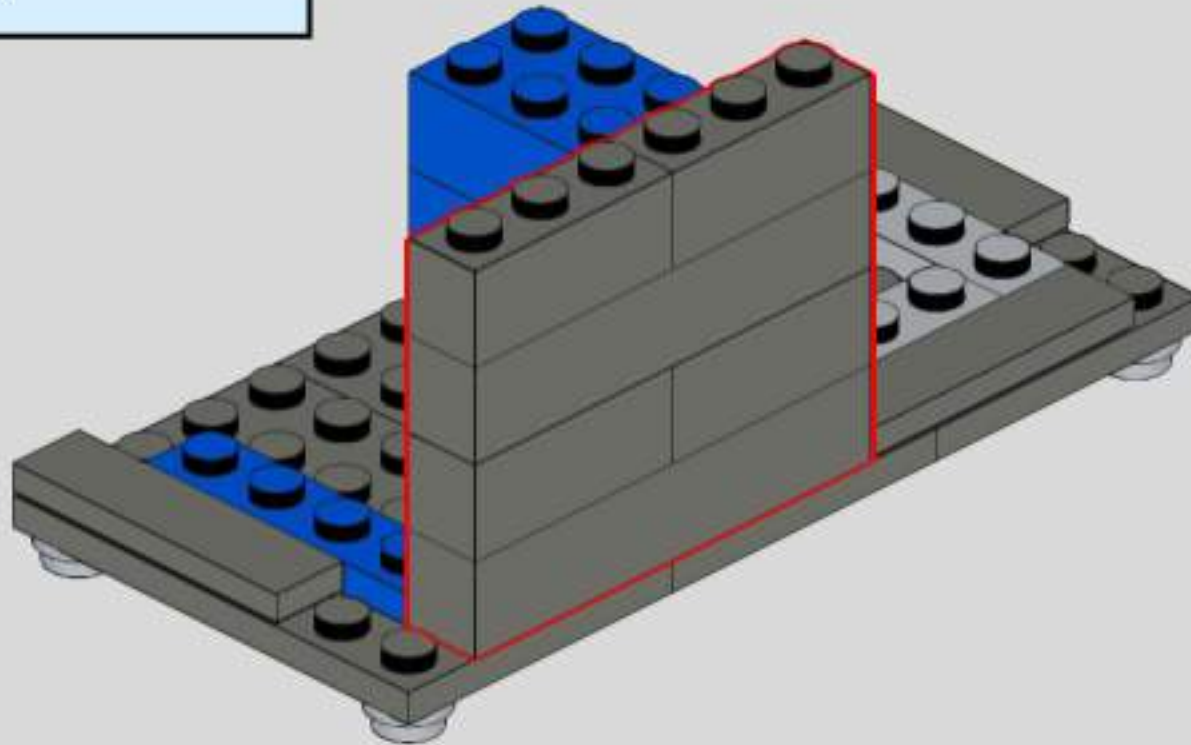
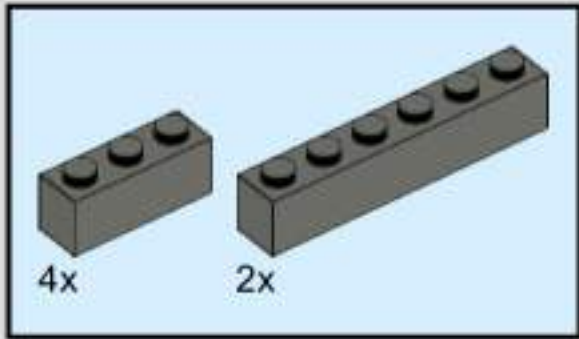


5



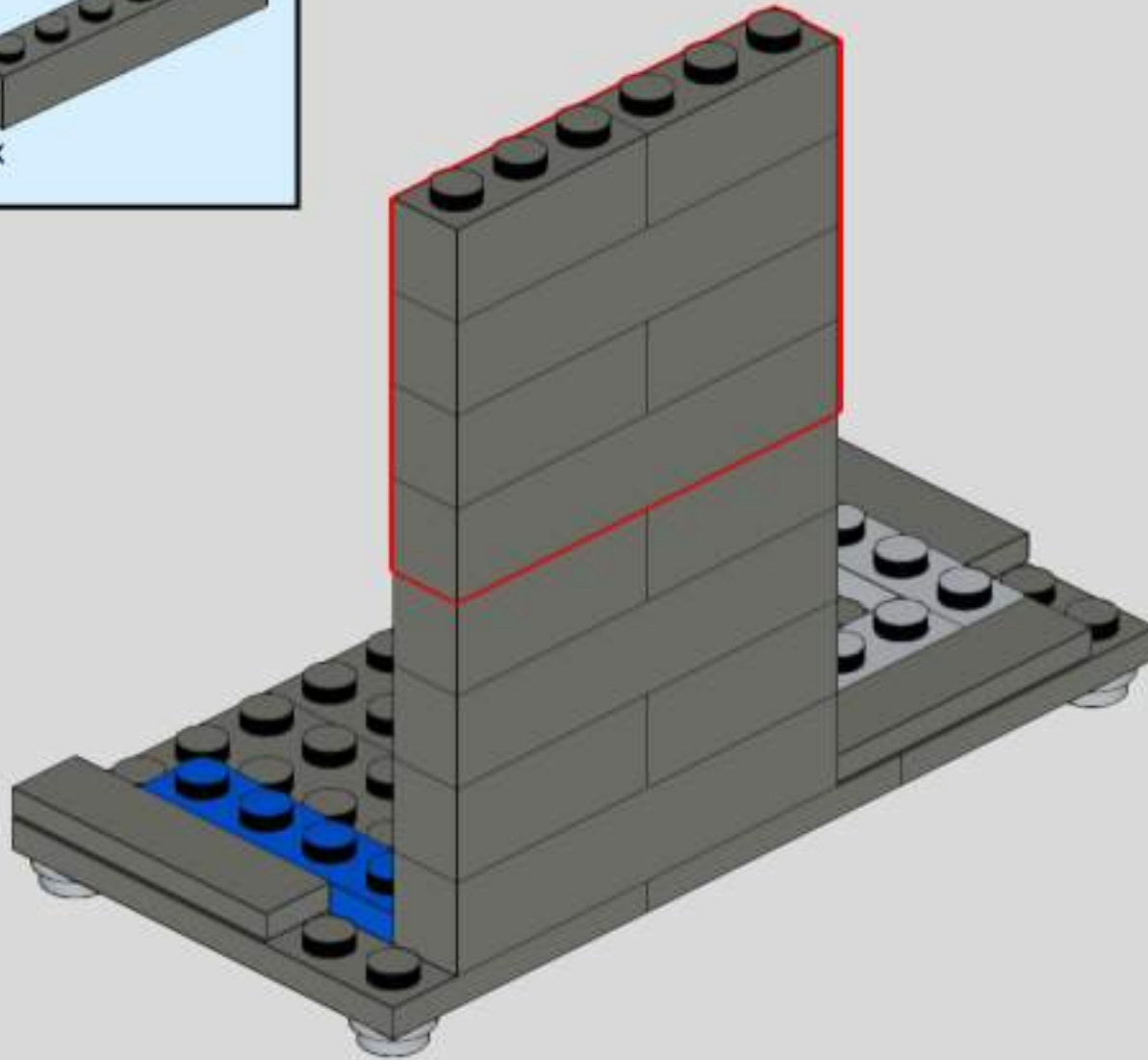
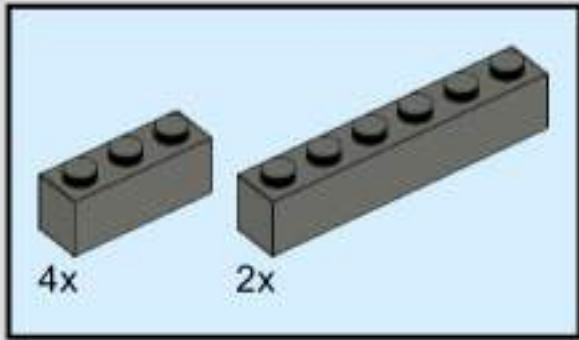


6

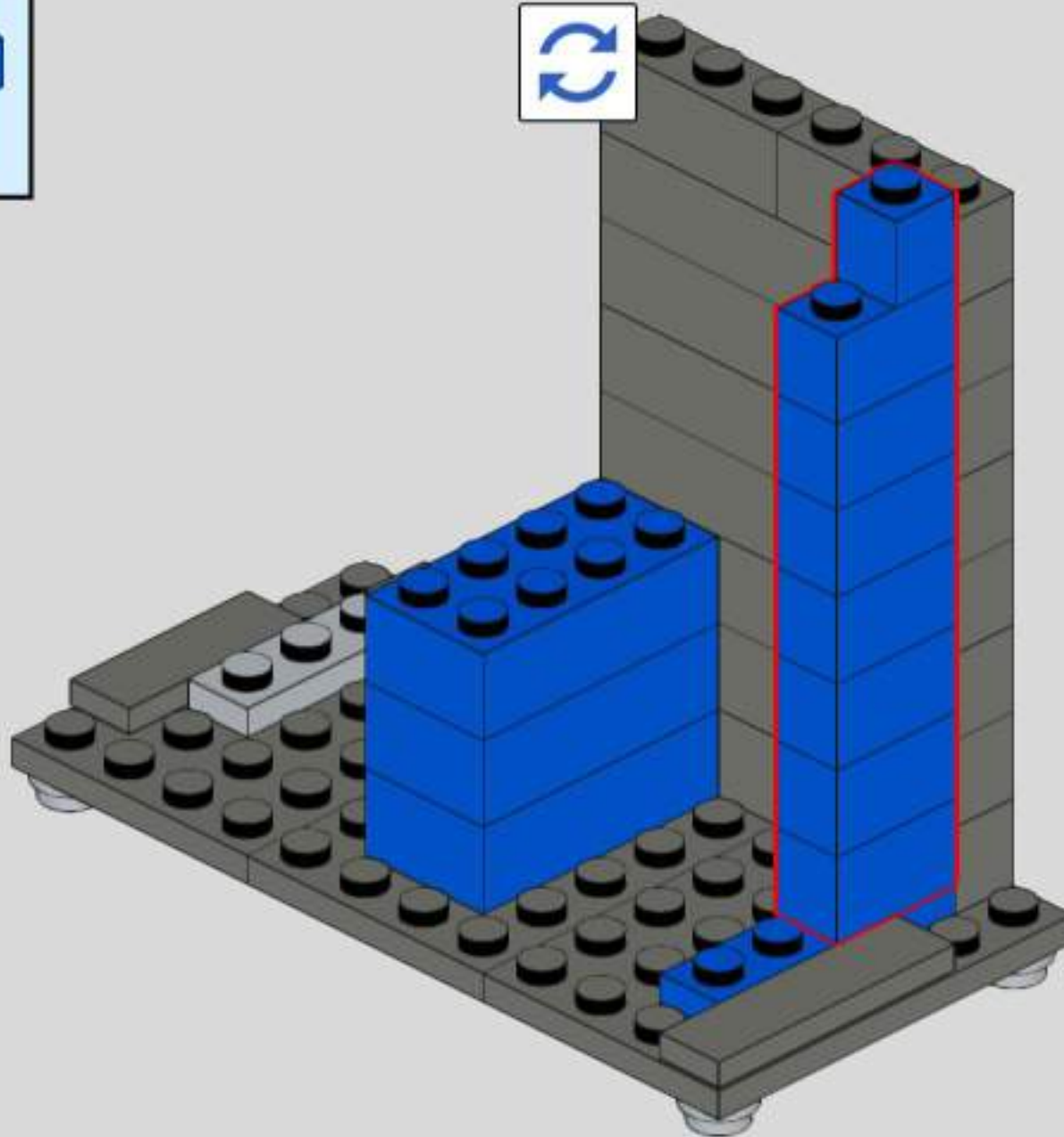
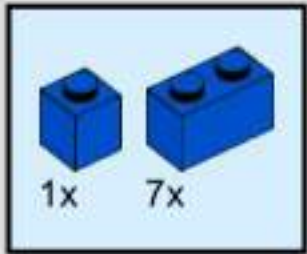




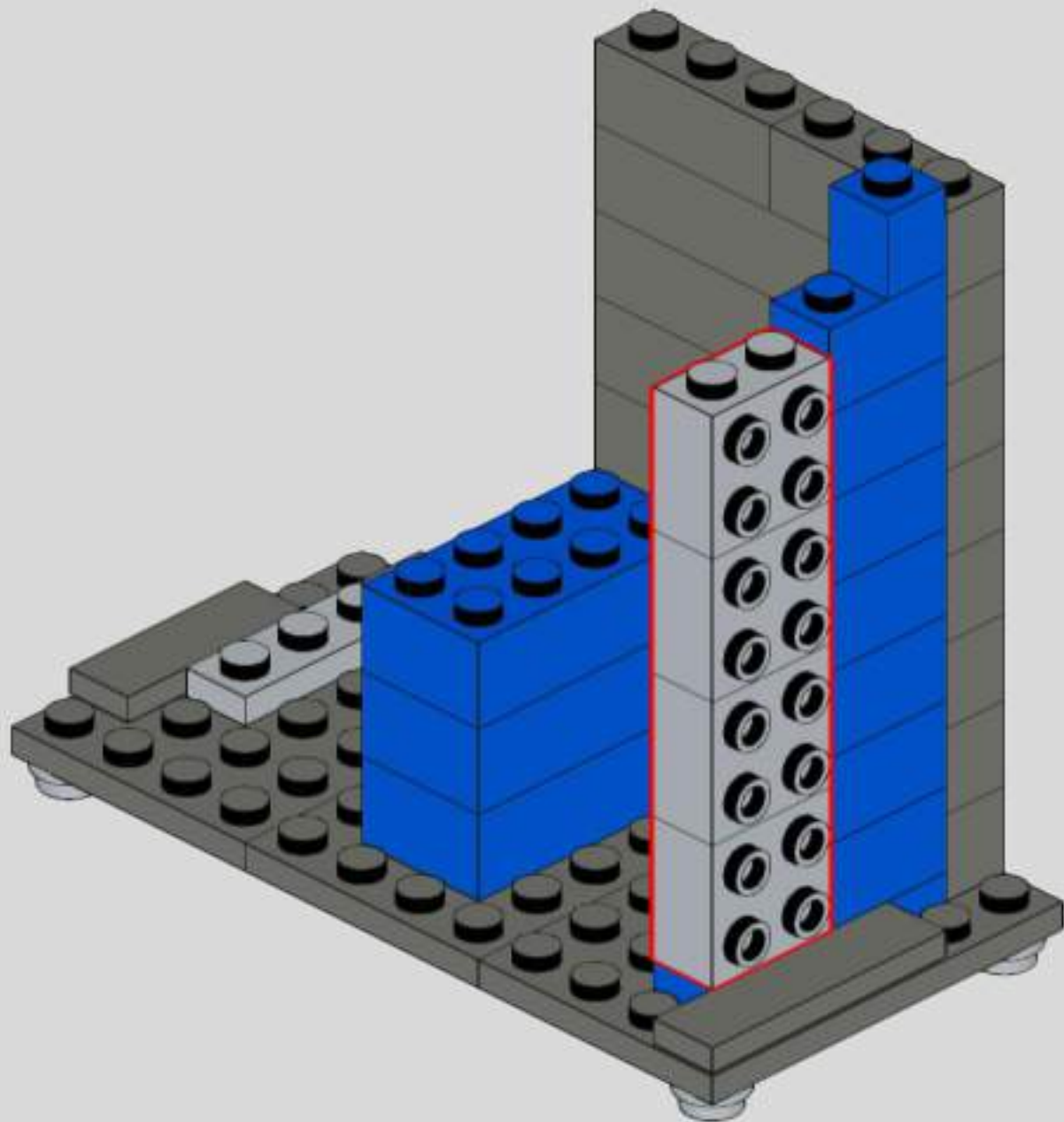
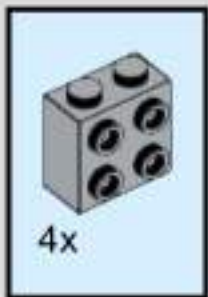
7



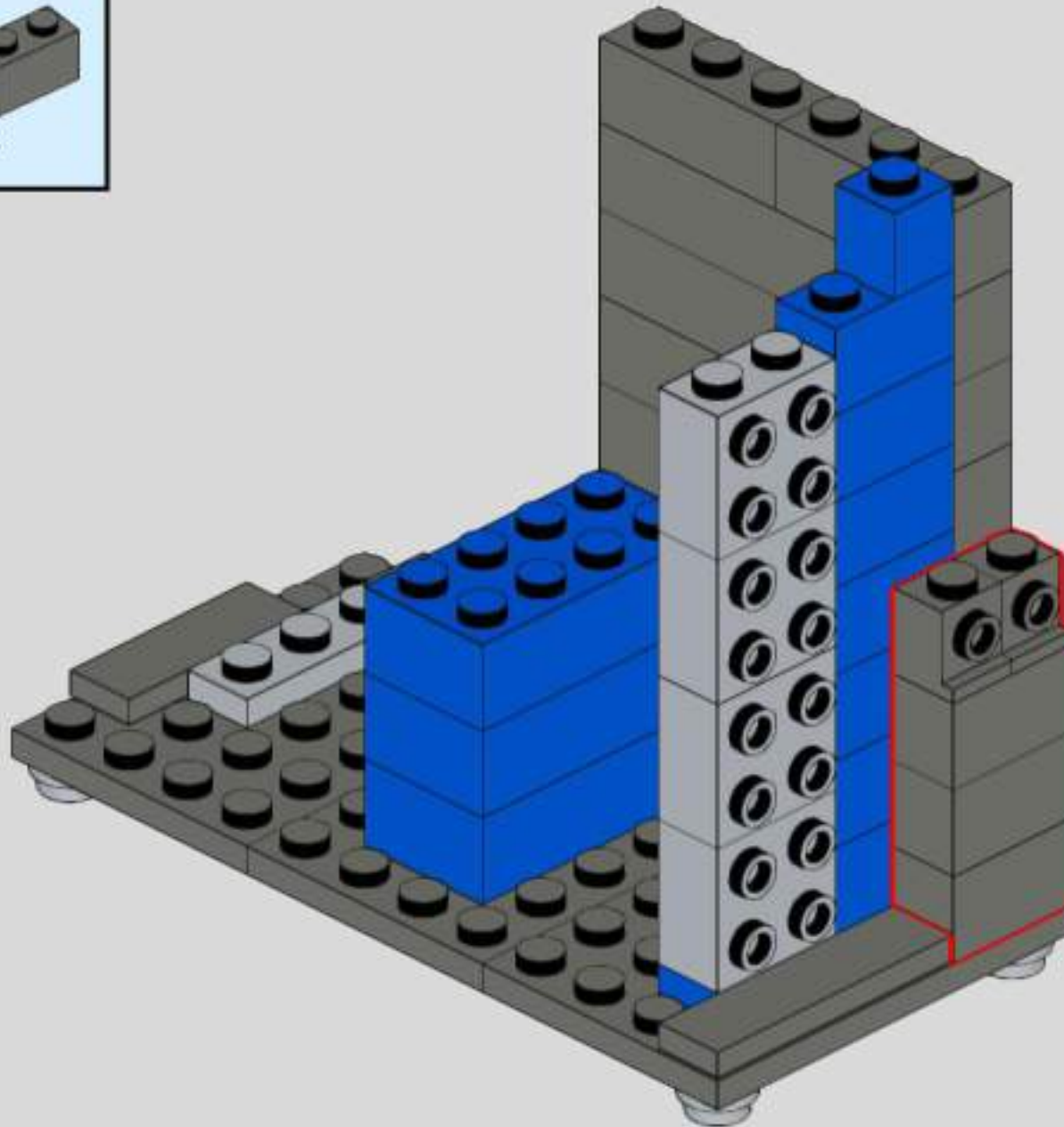
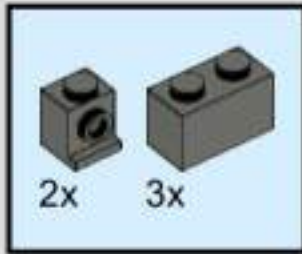
8



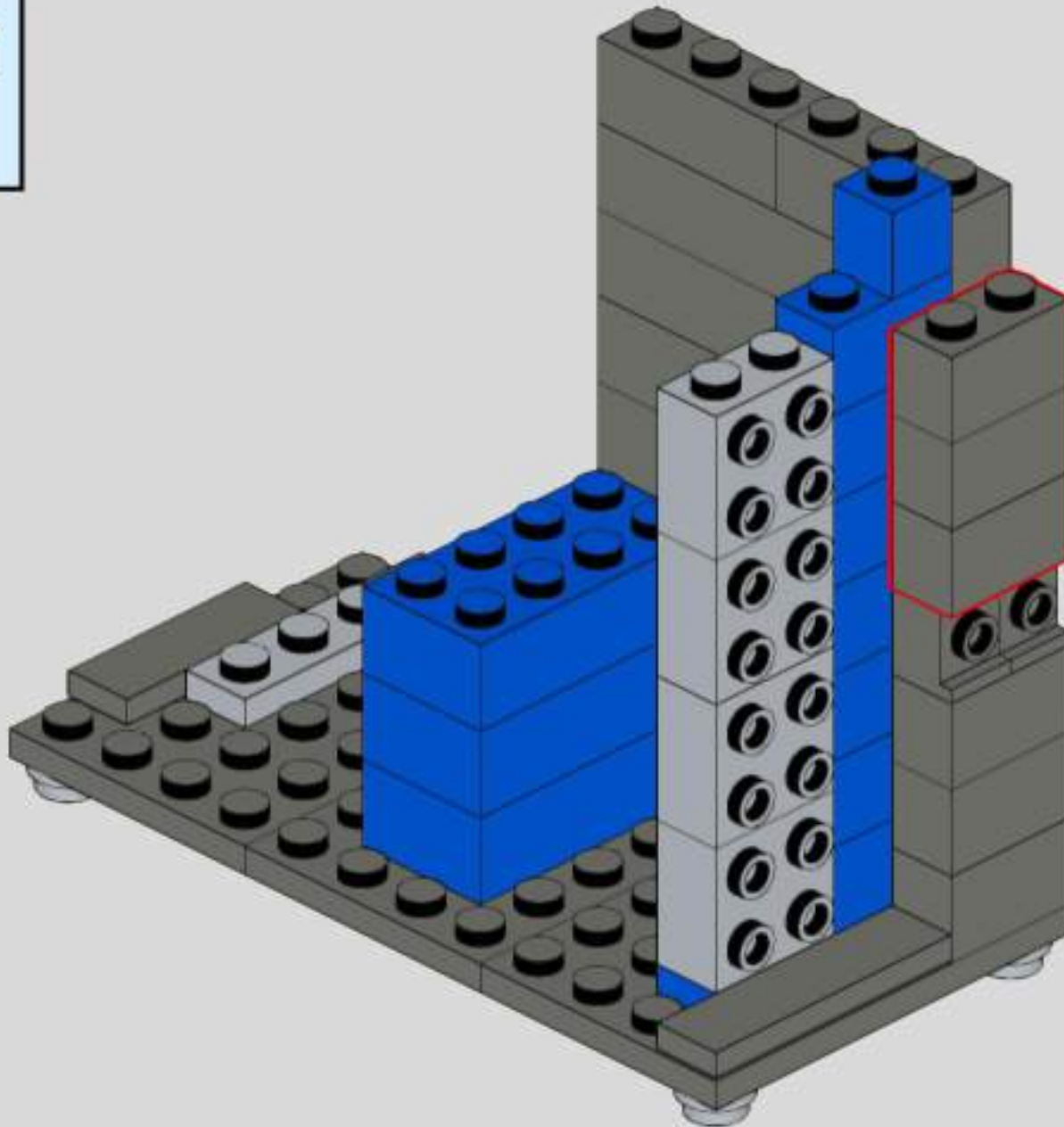
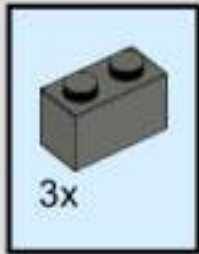
9



# 10

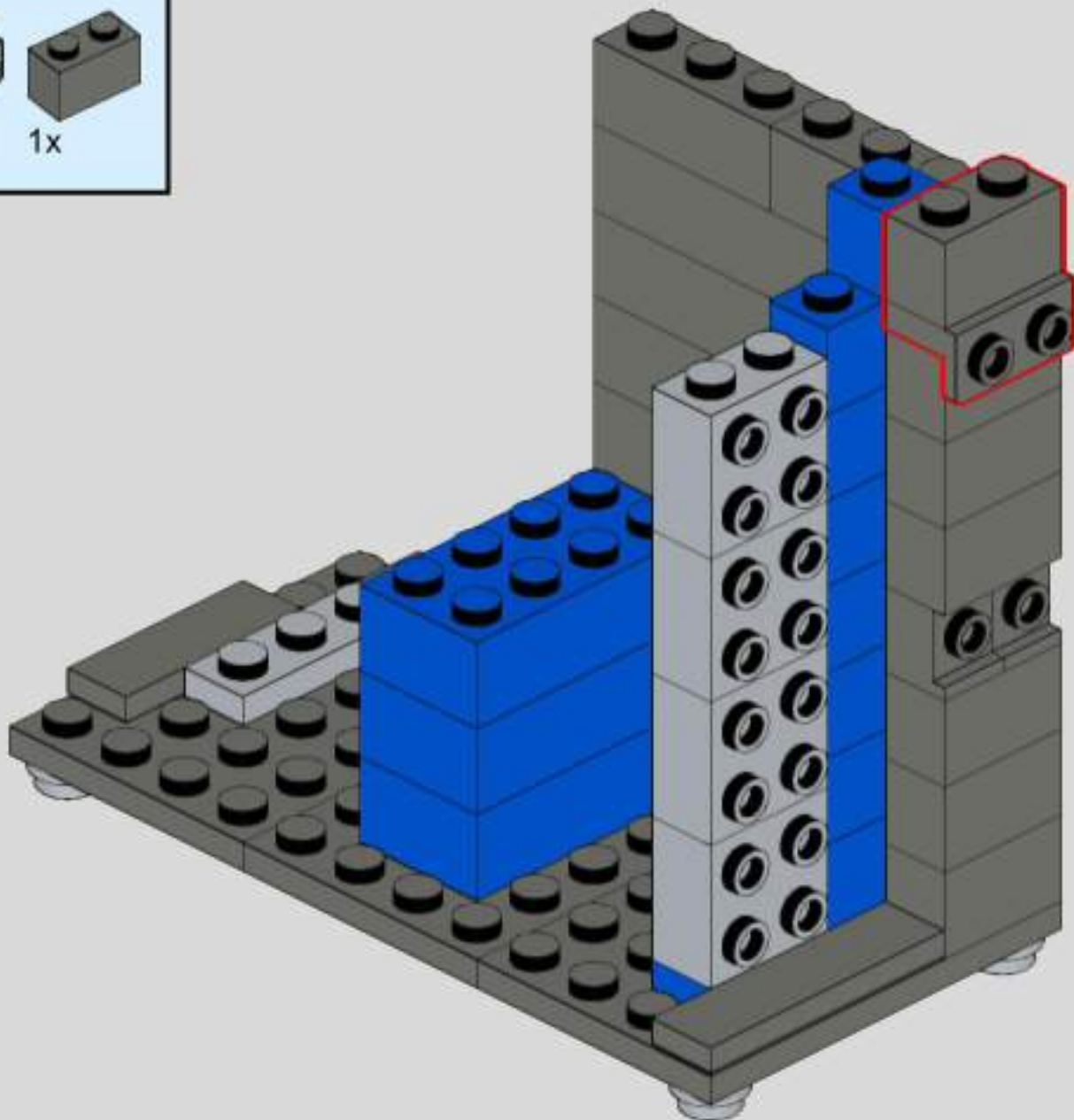
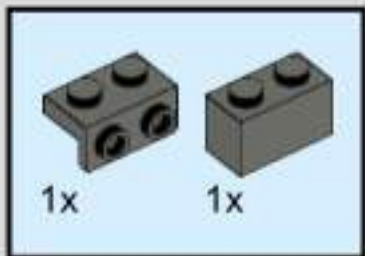


# 11

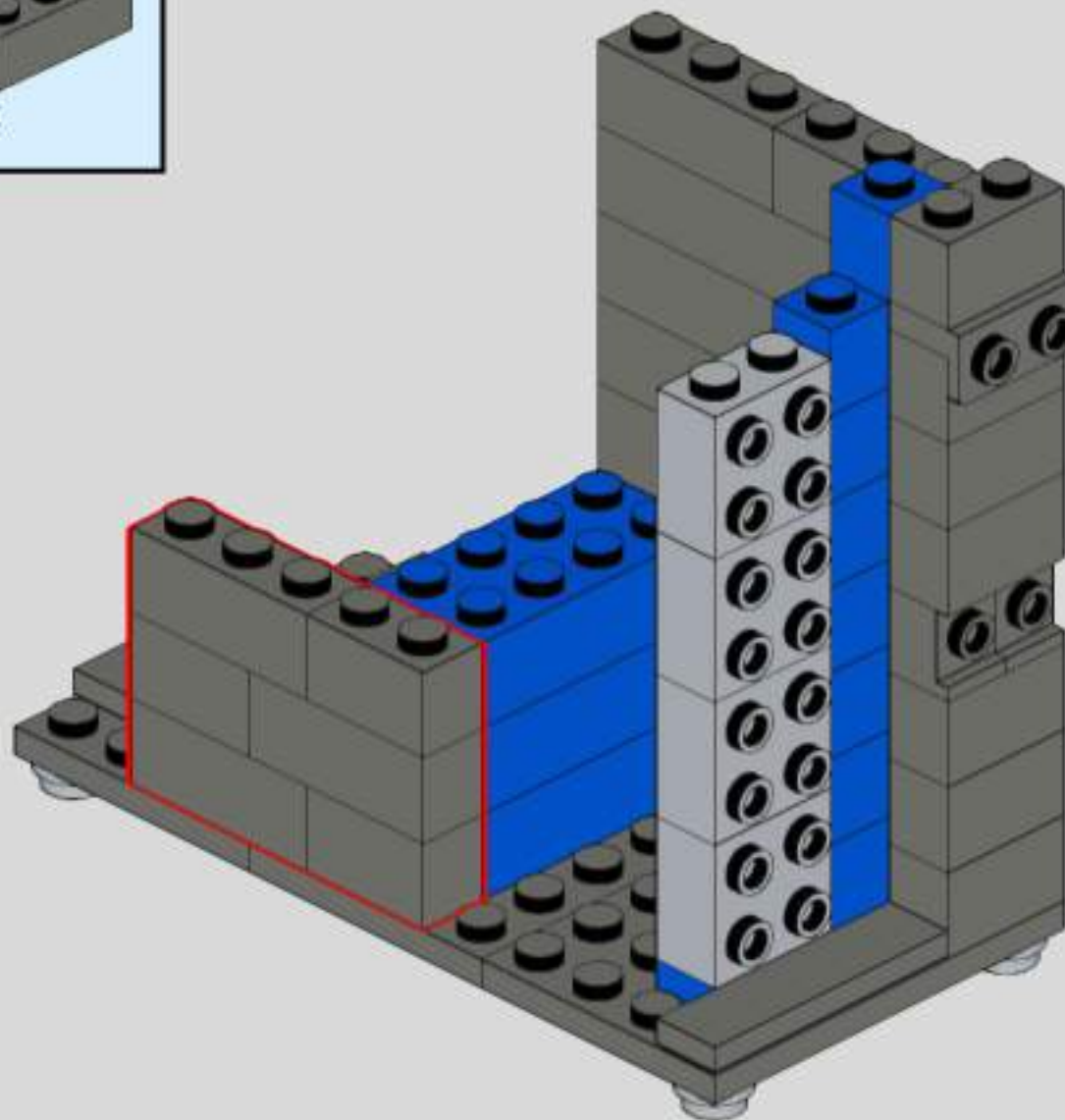
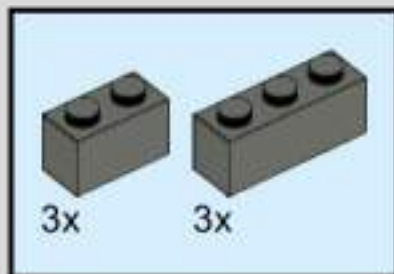




# 12

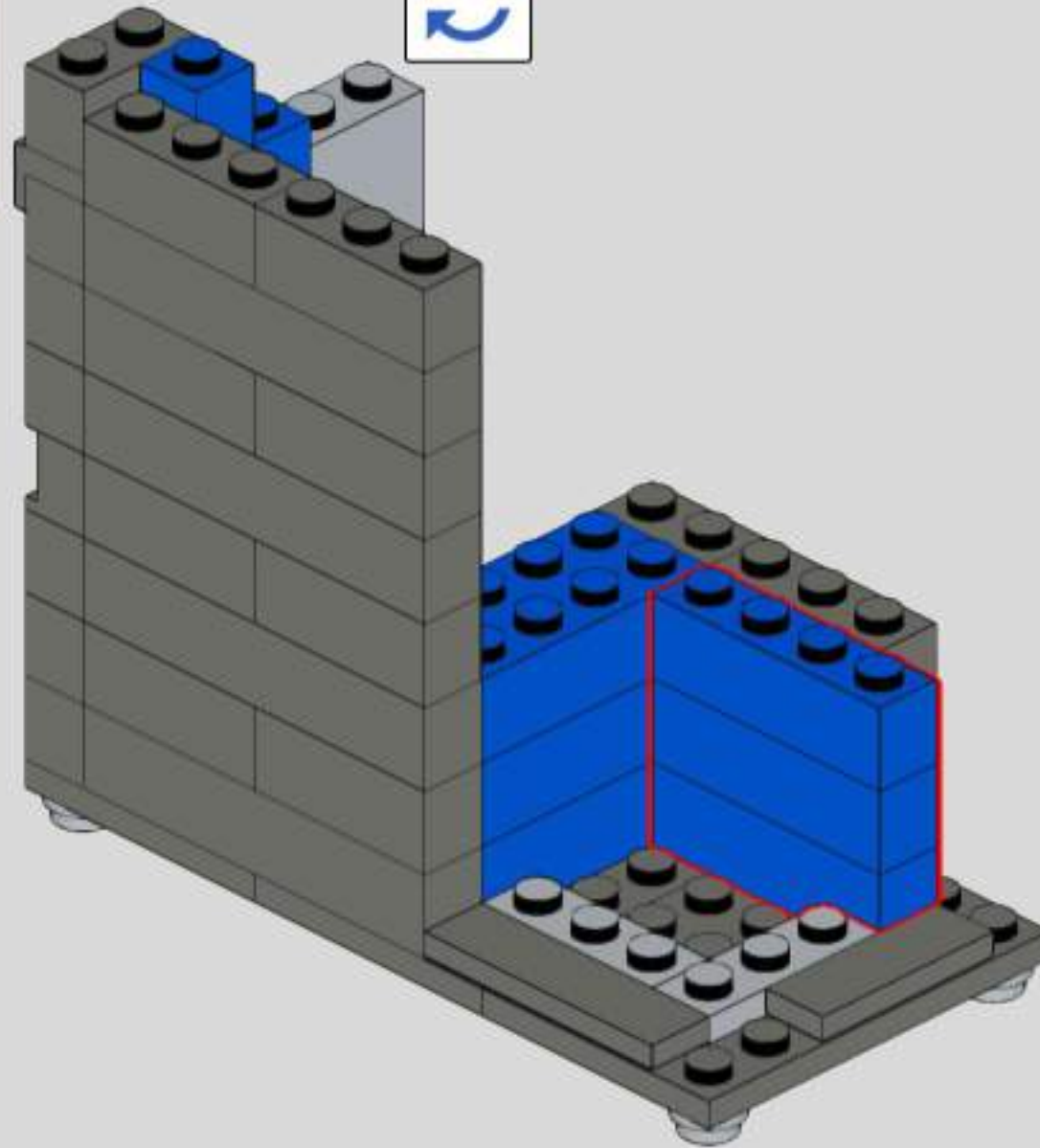
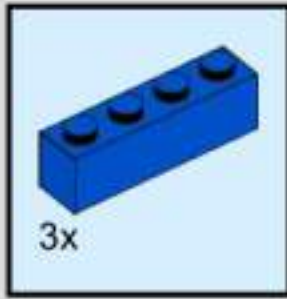


# 13

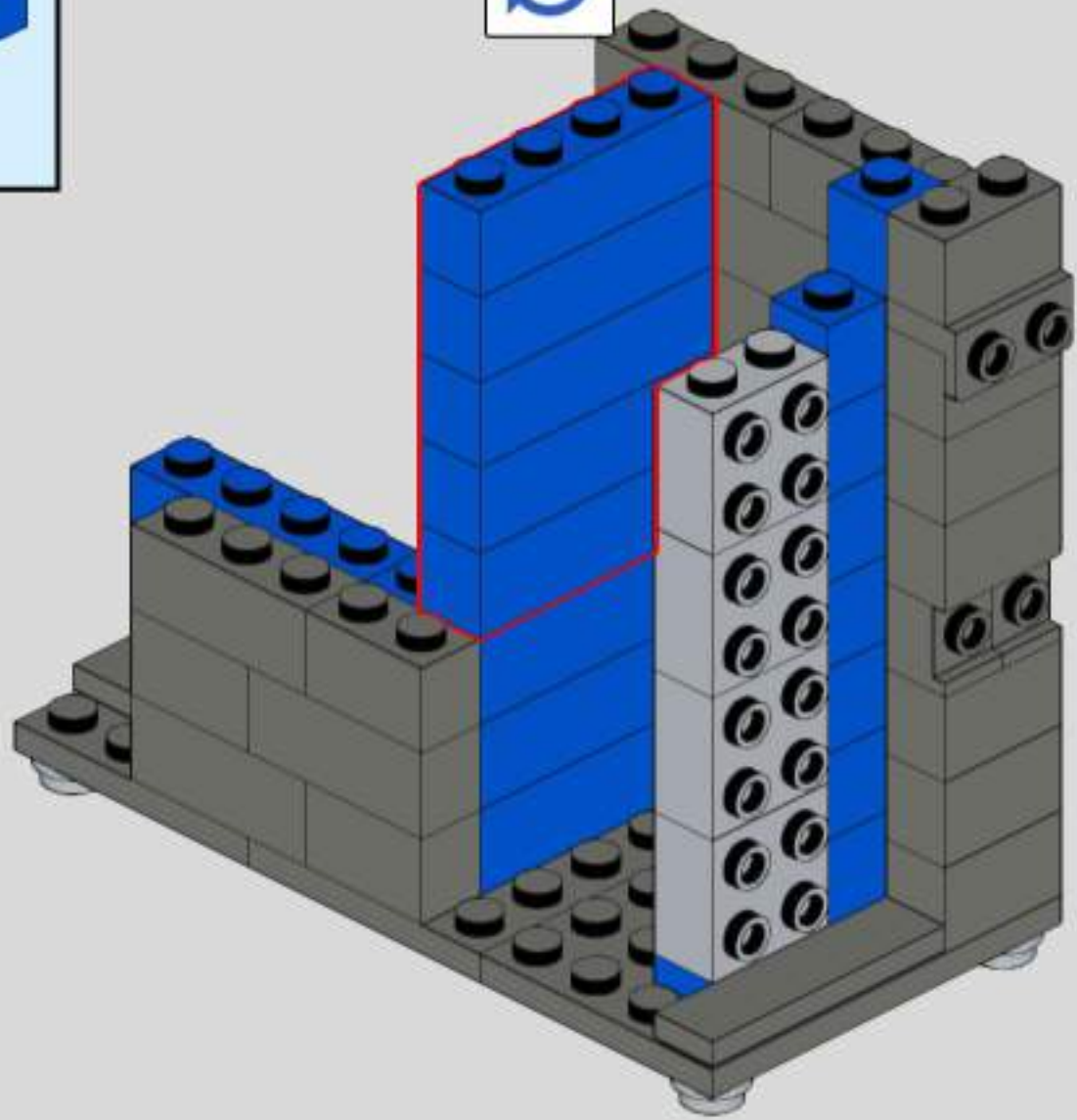
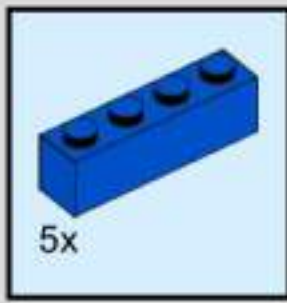




# 14

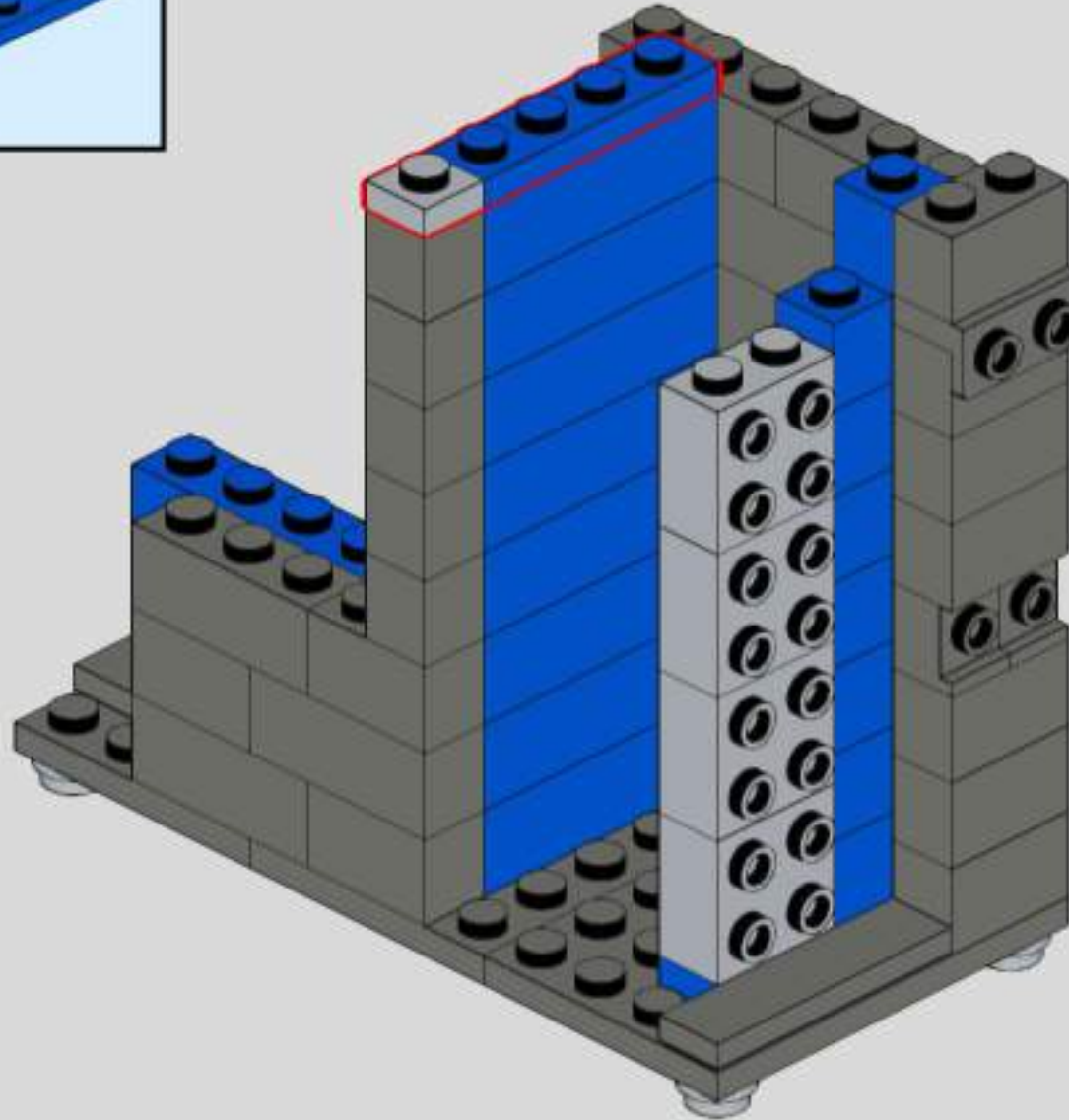
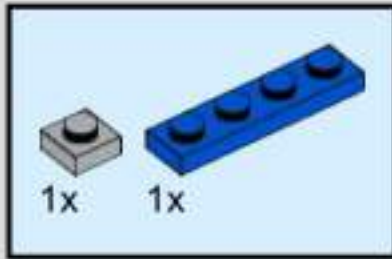


# 15

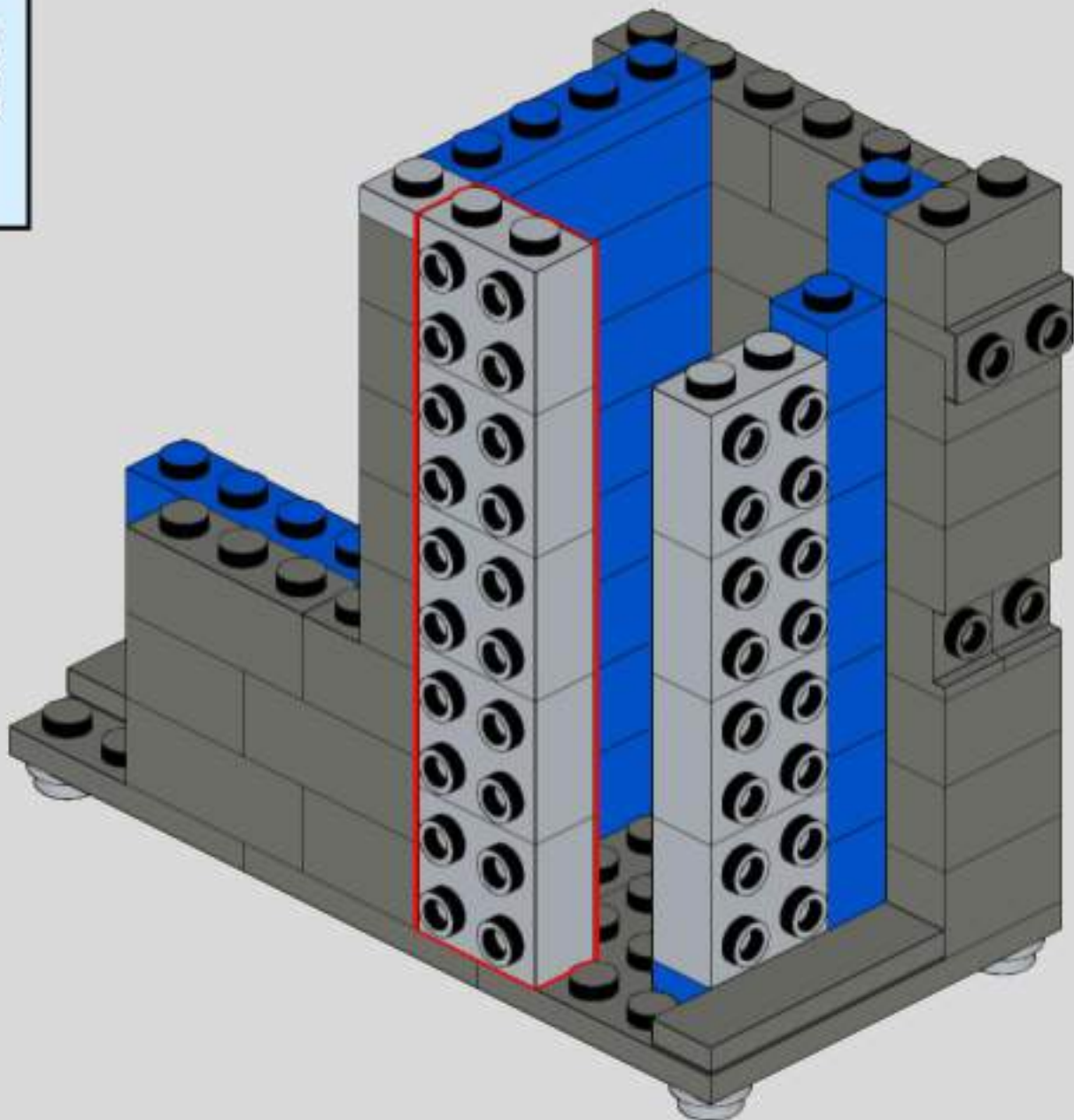
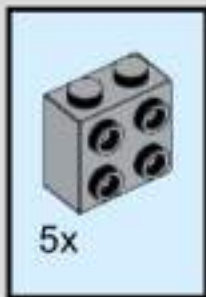




# 17

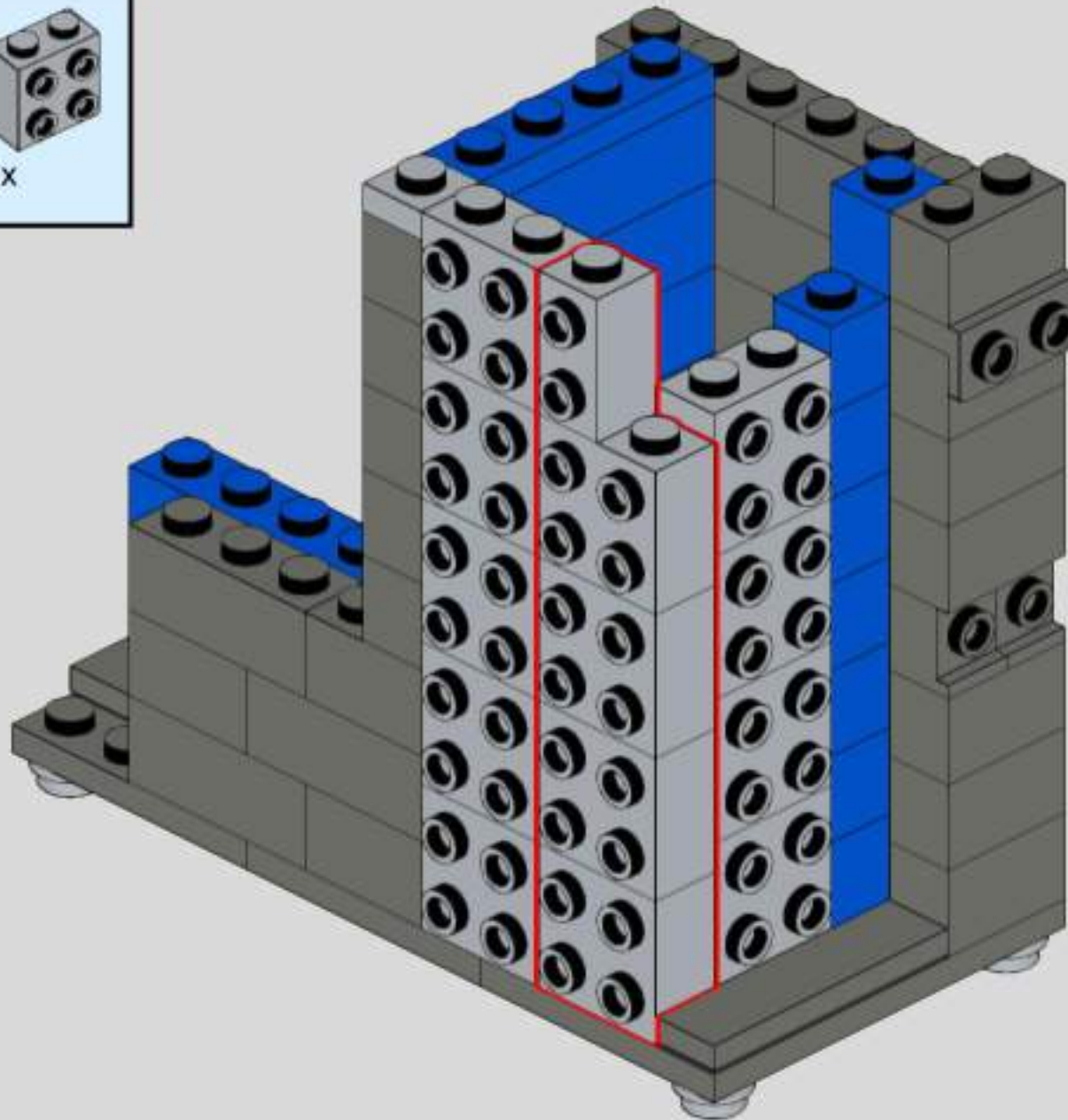
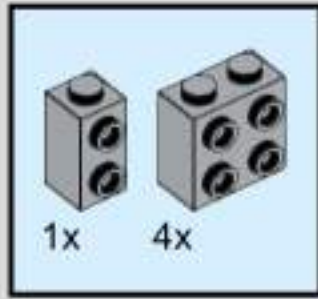


# 18

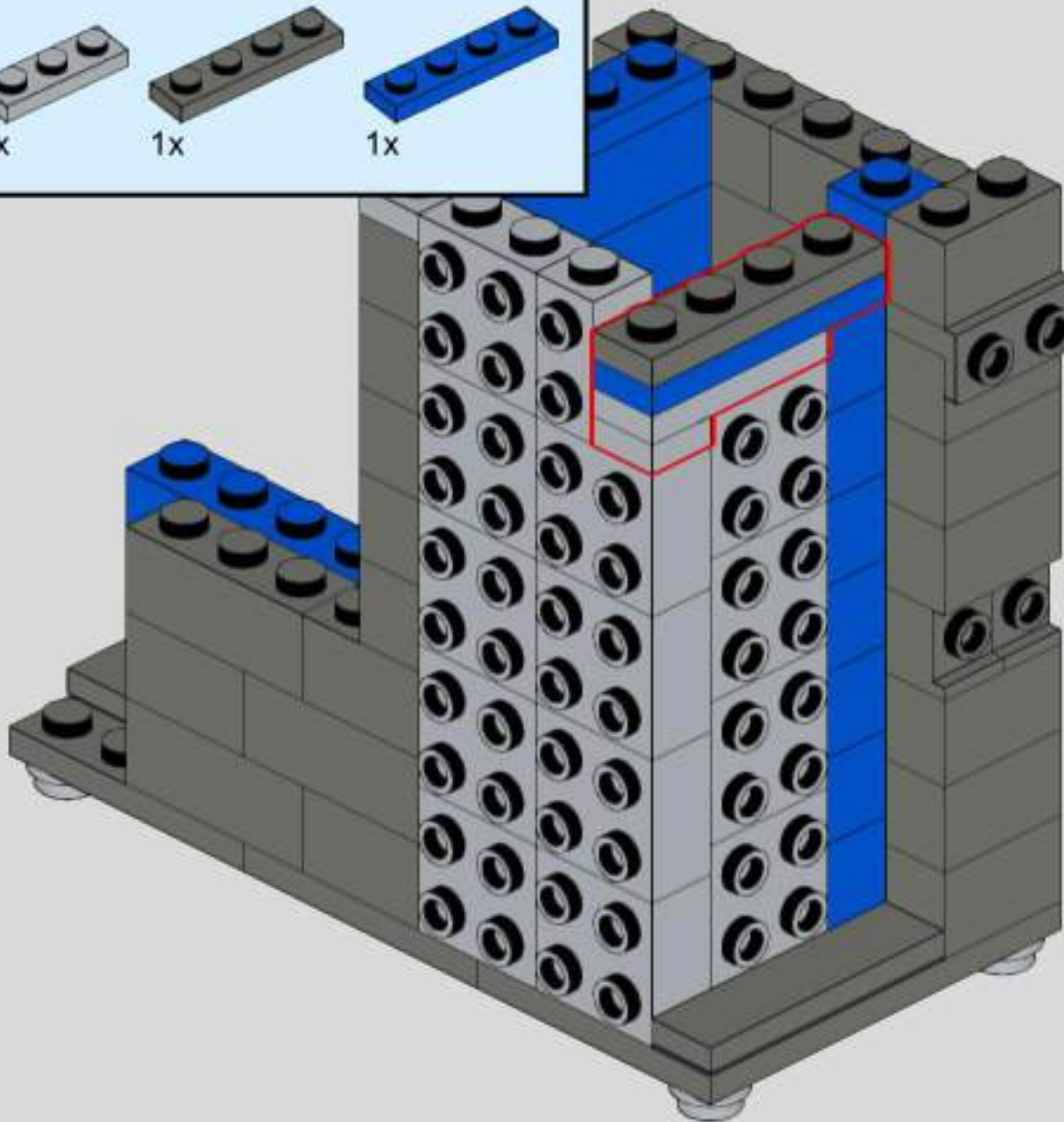
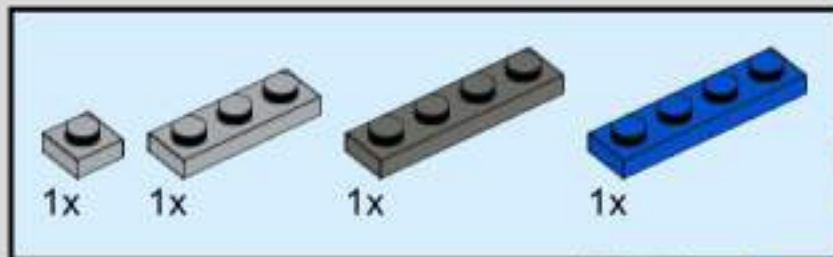




# 19

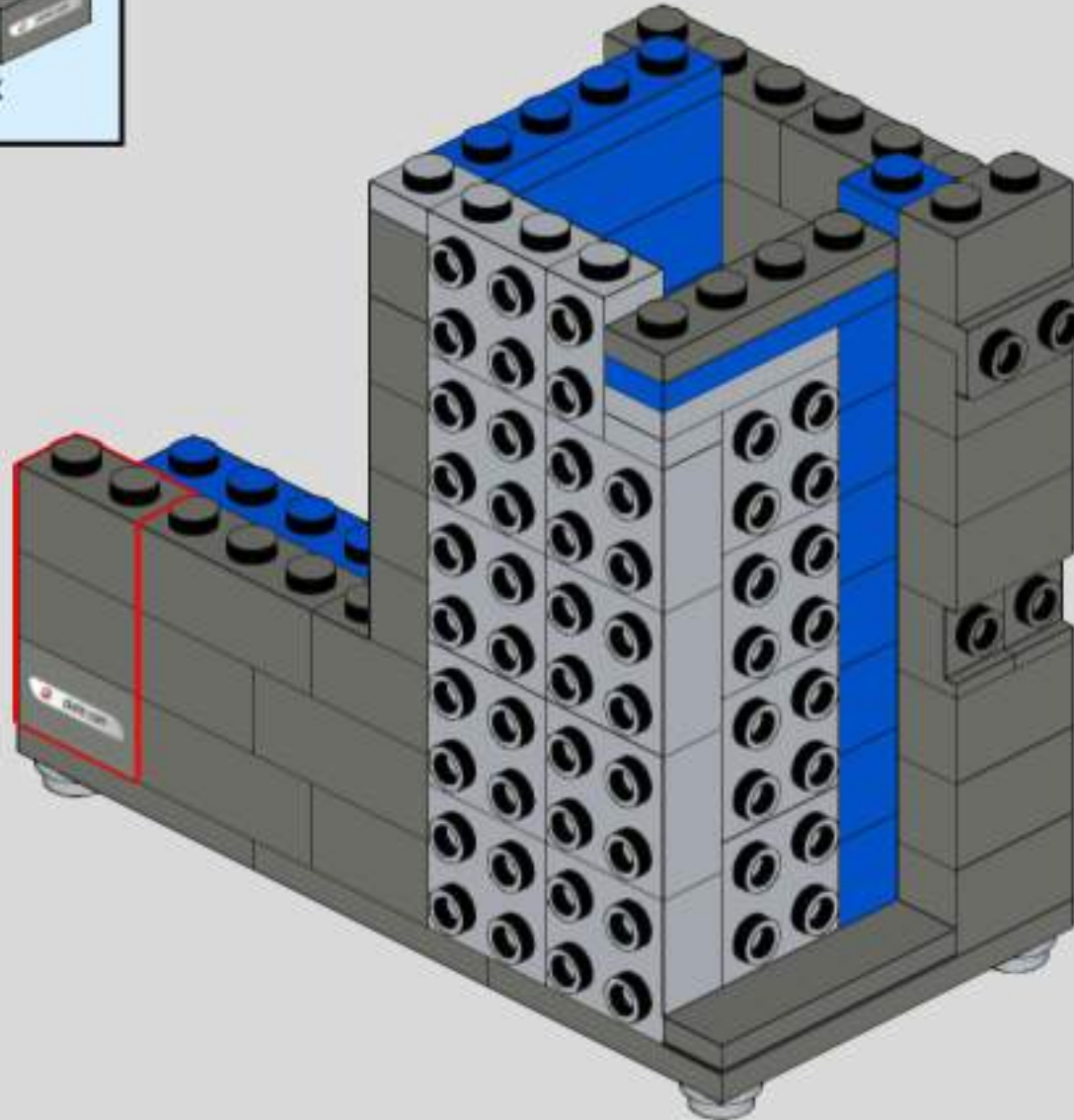
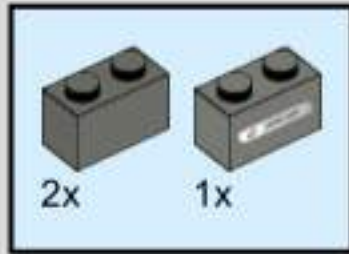


# 20

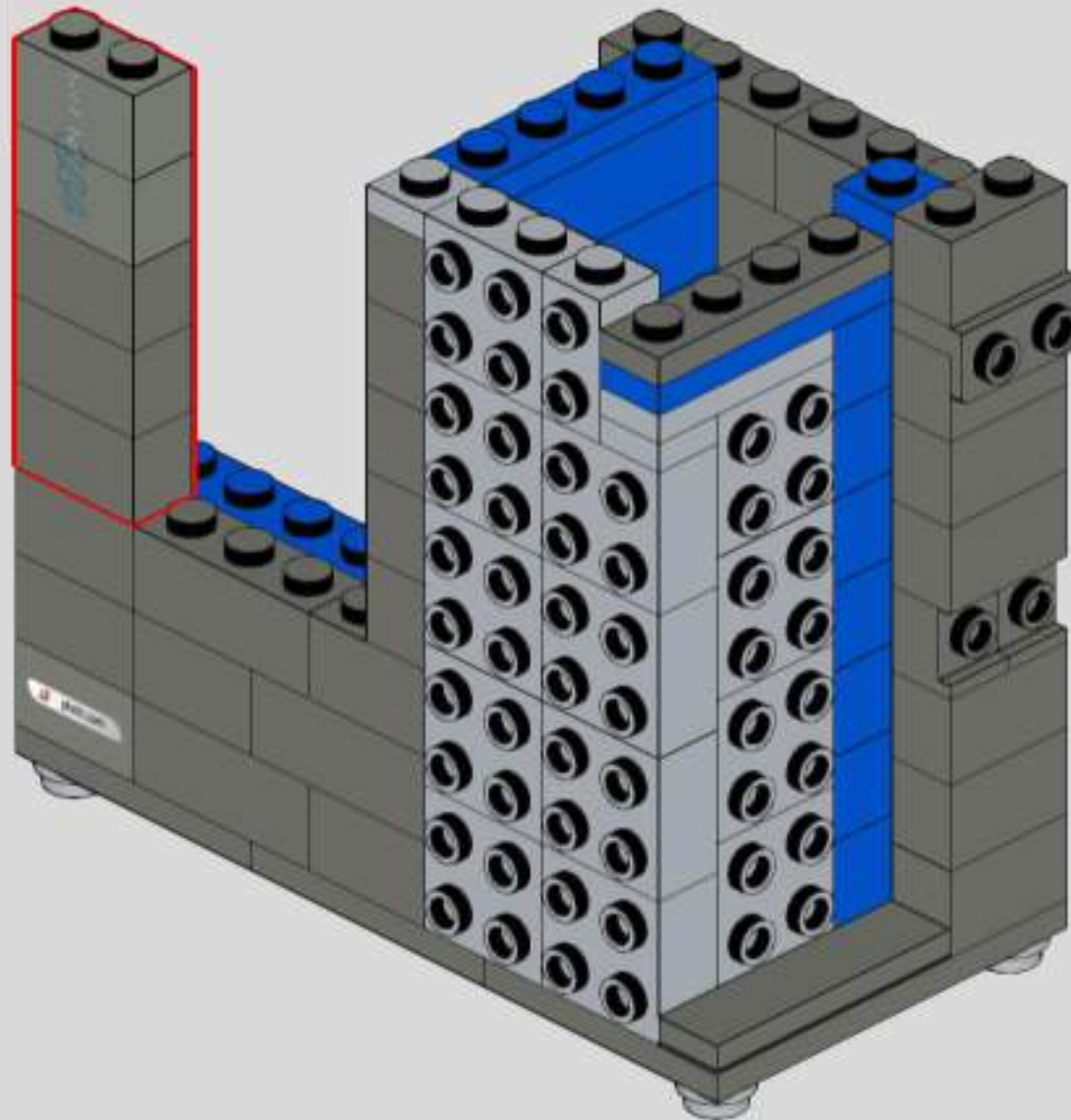
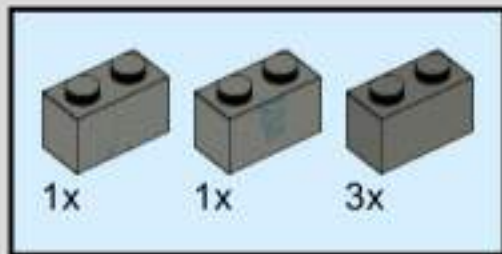




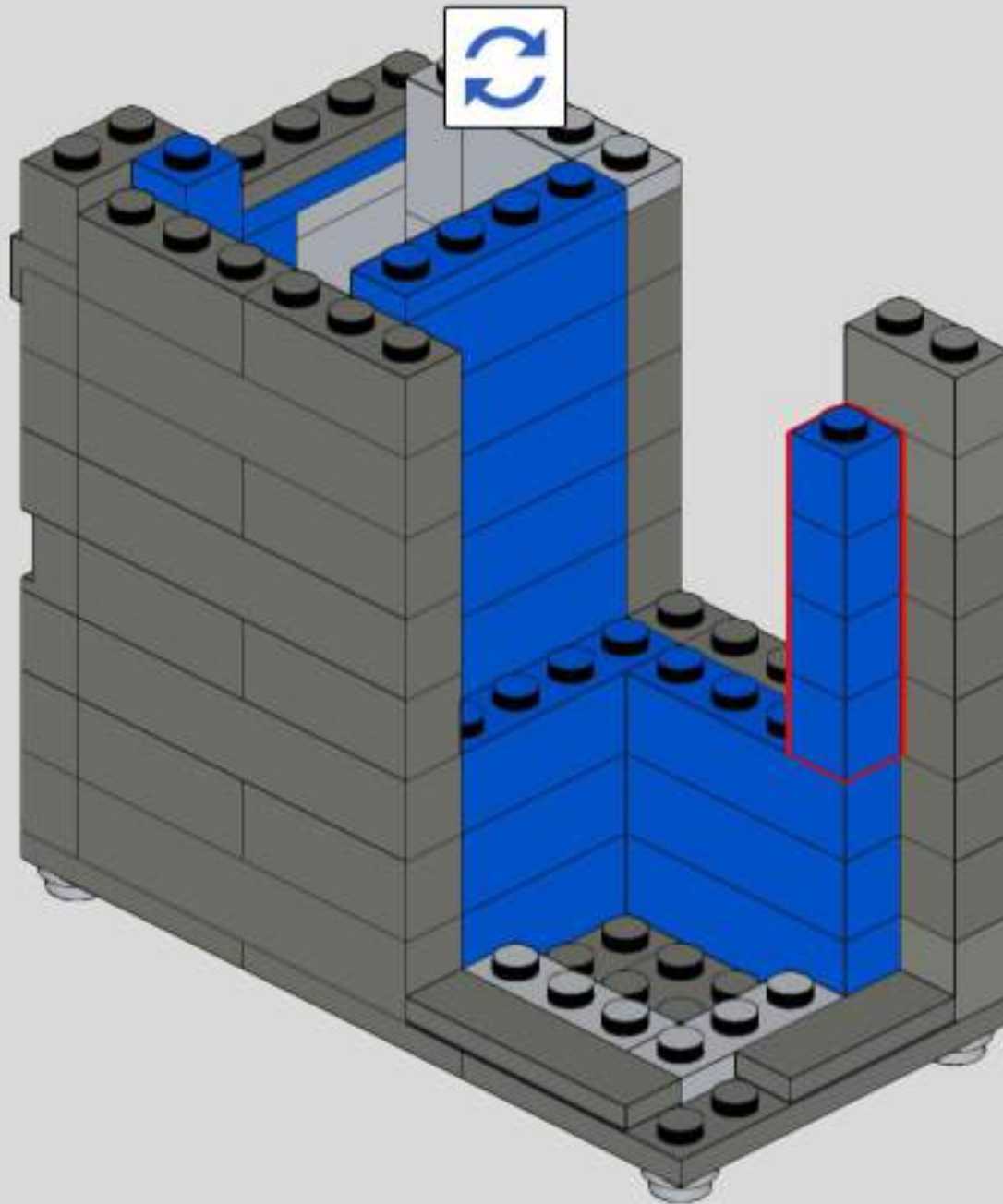
# 21



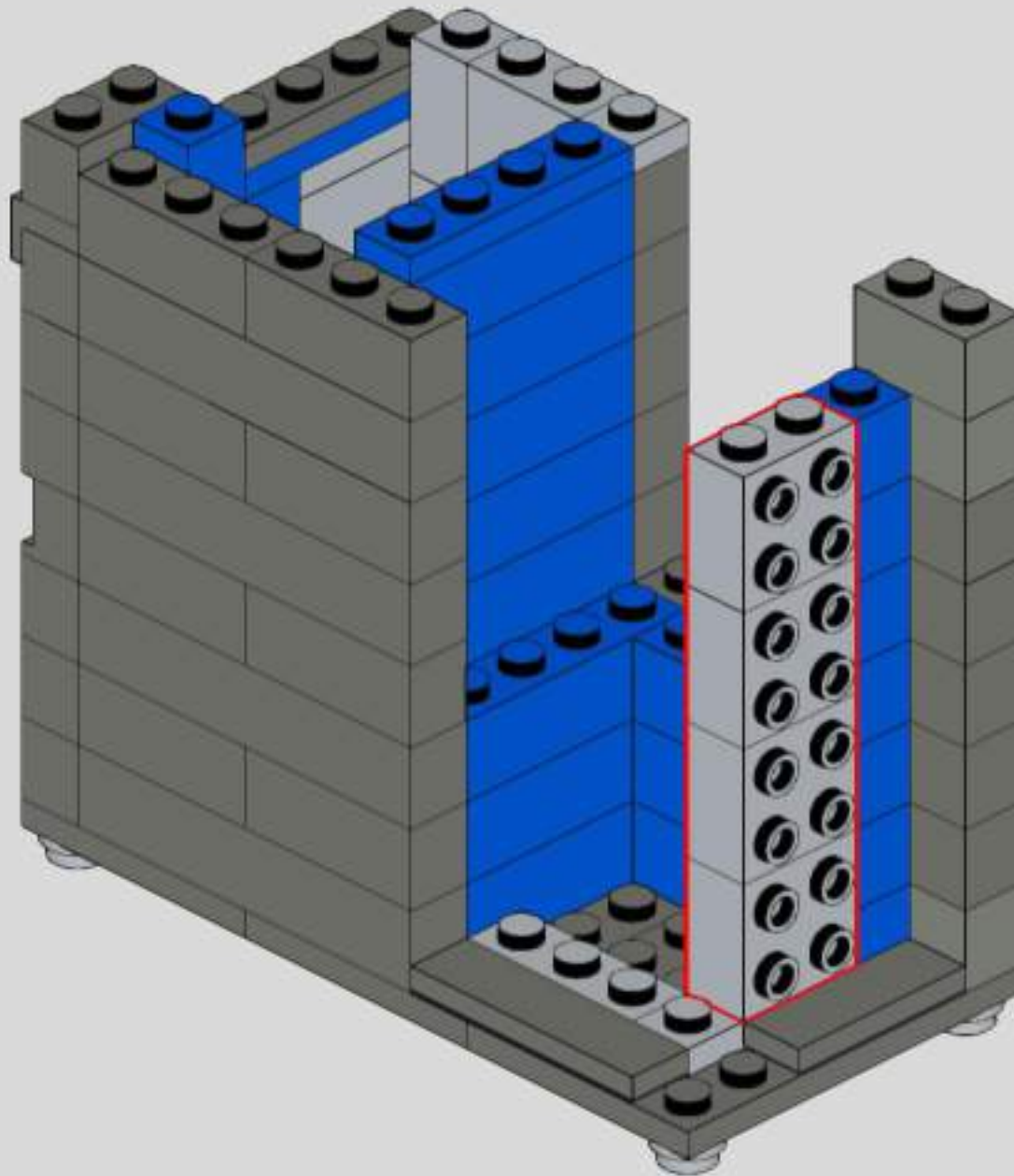
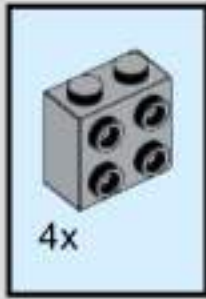
# 22



# 23

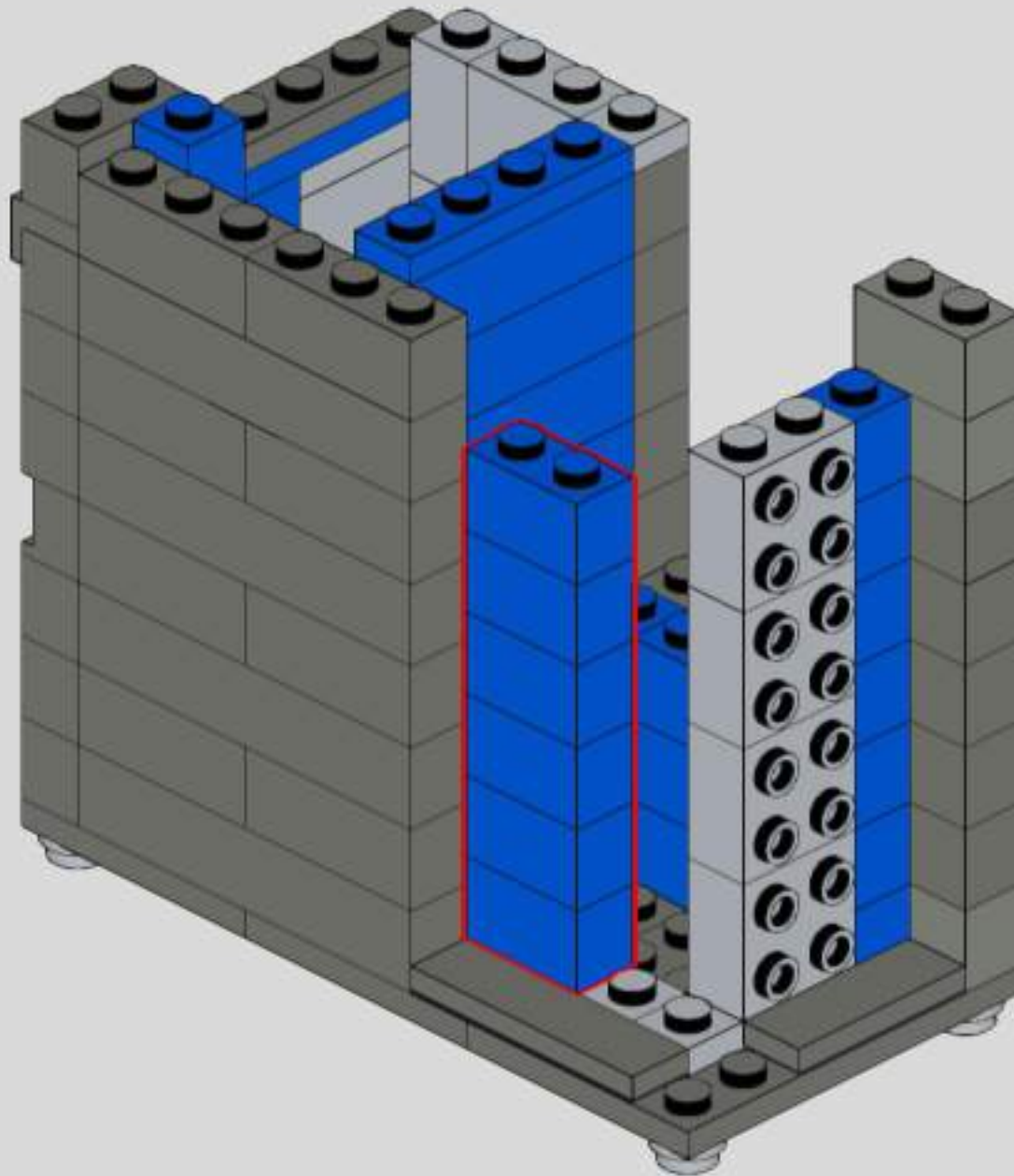
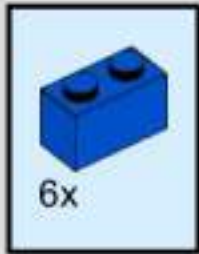


# 24

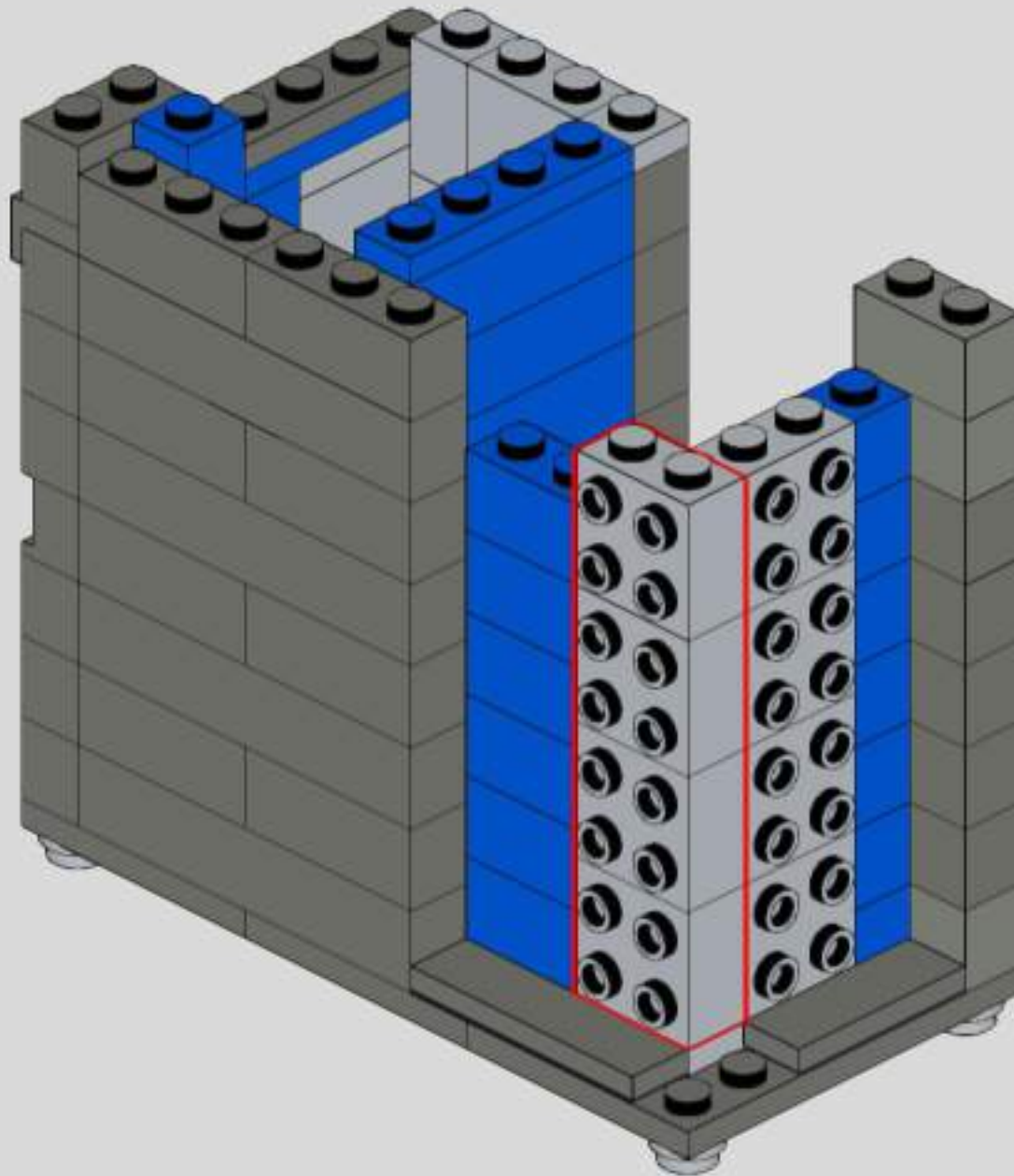
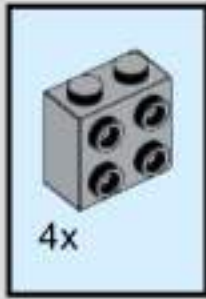




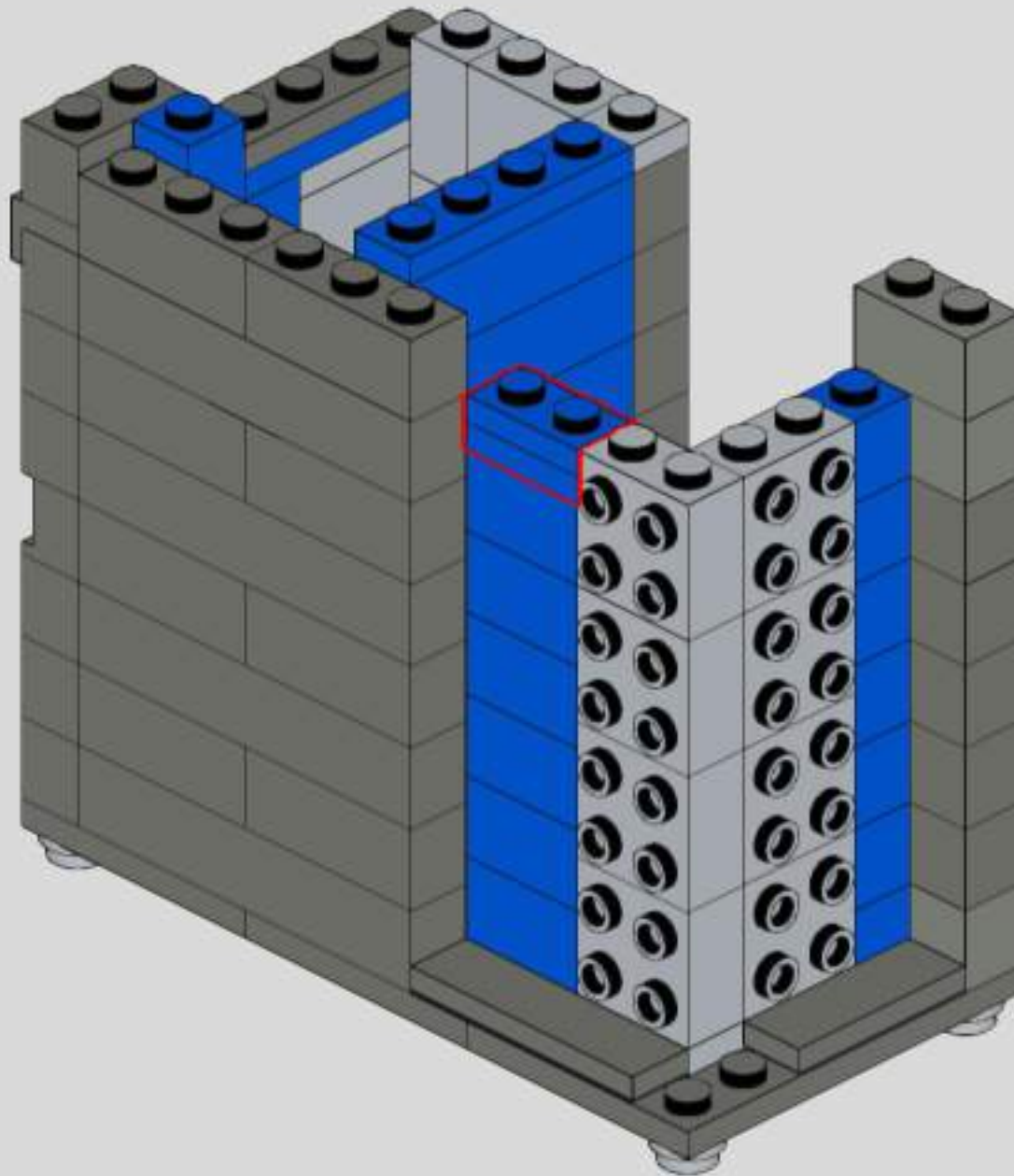
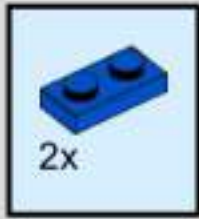
# 25



# 26

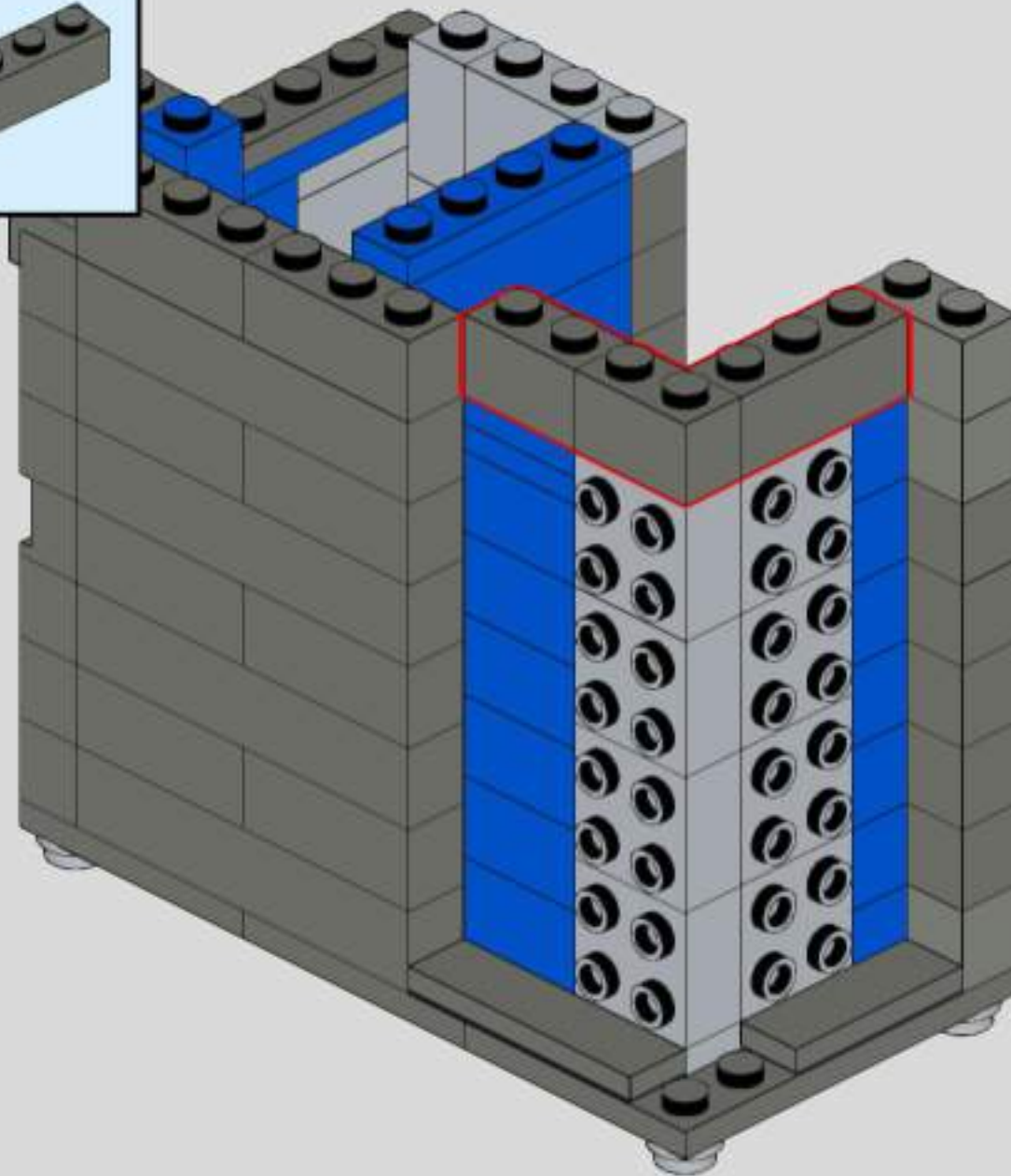
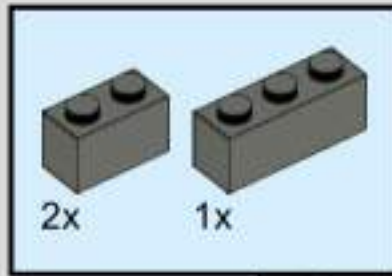


# 27

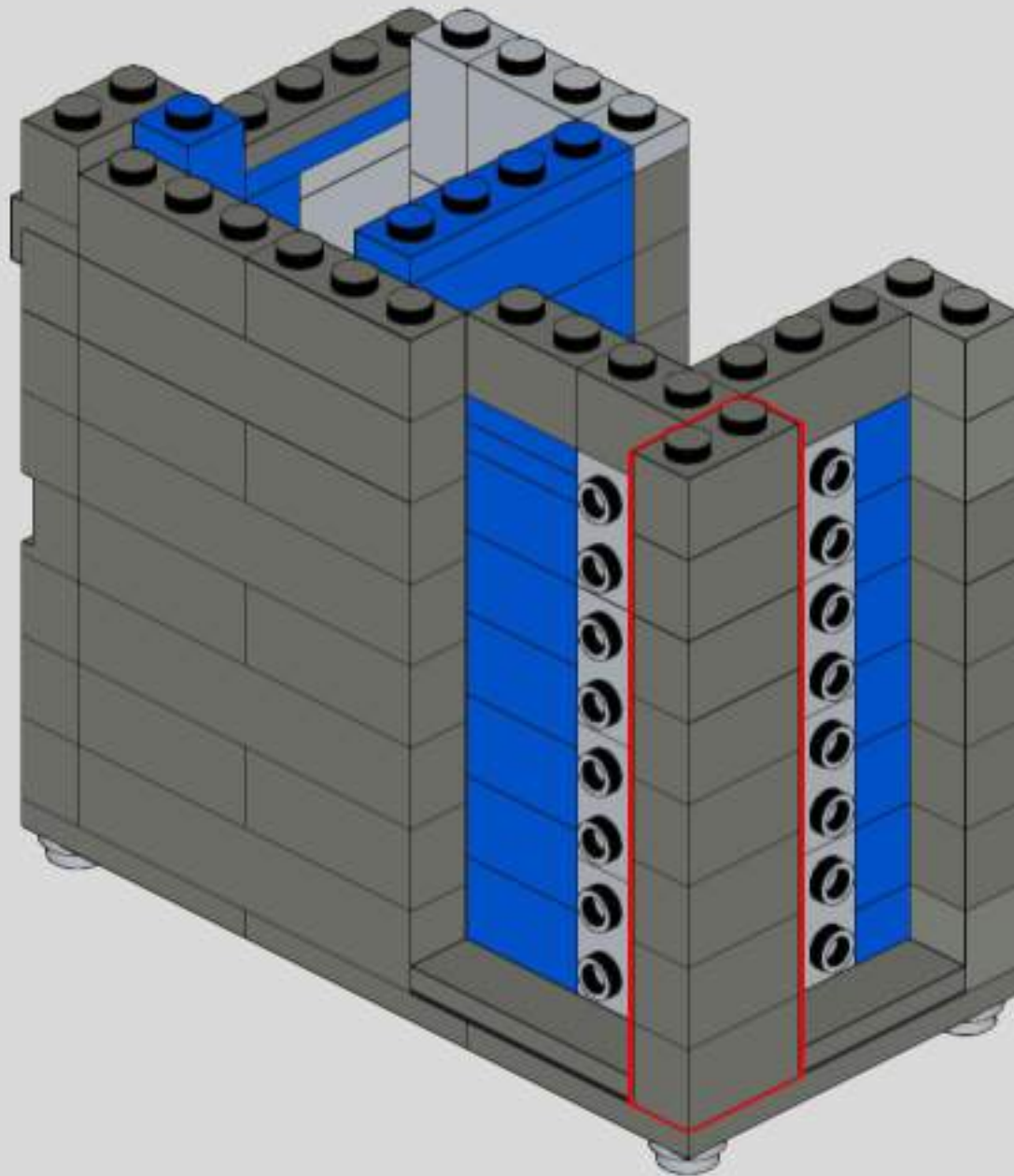
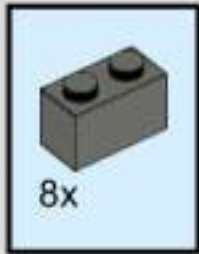




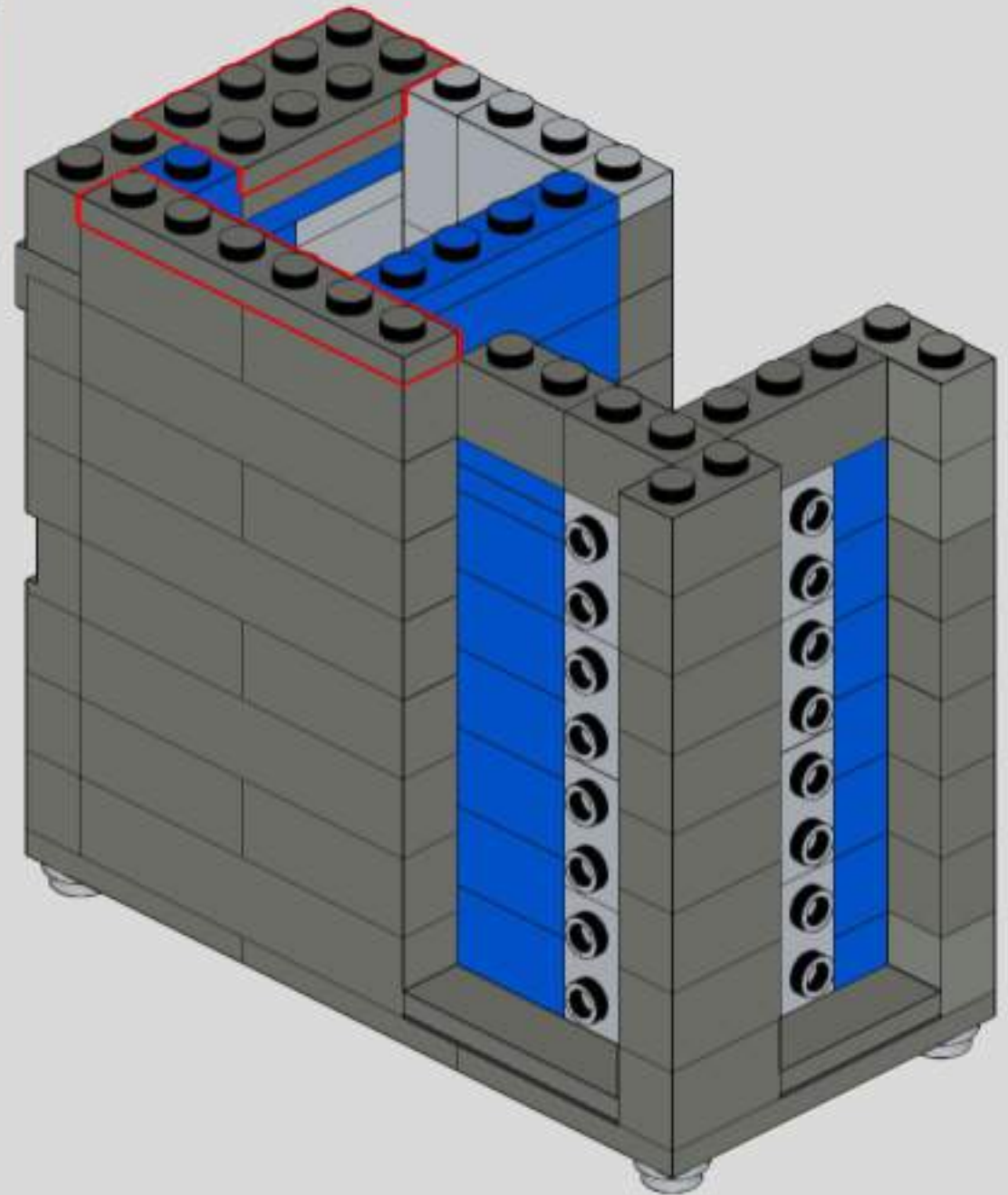
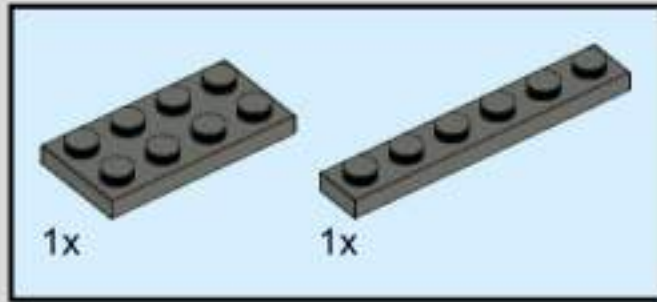
# 28



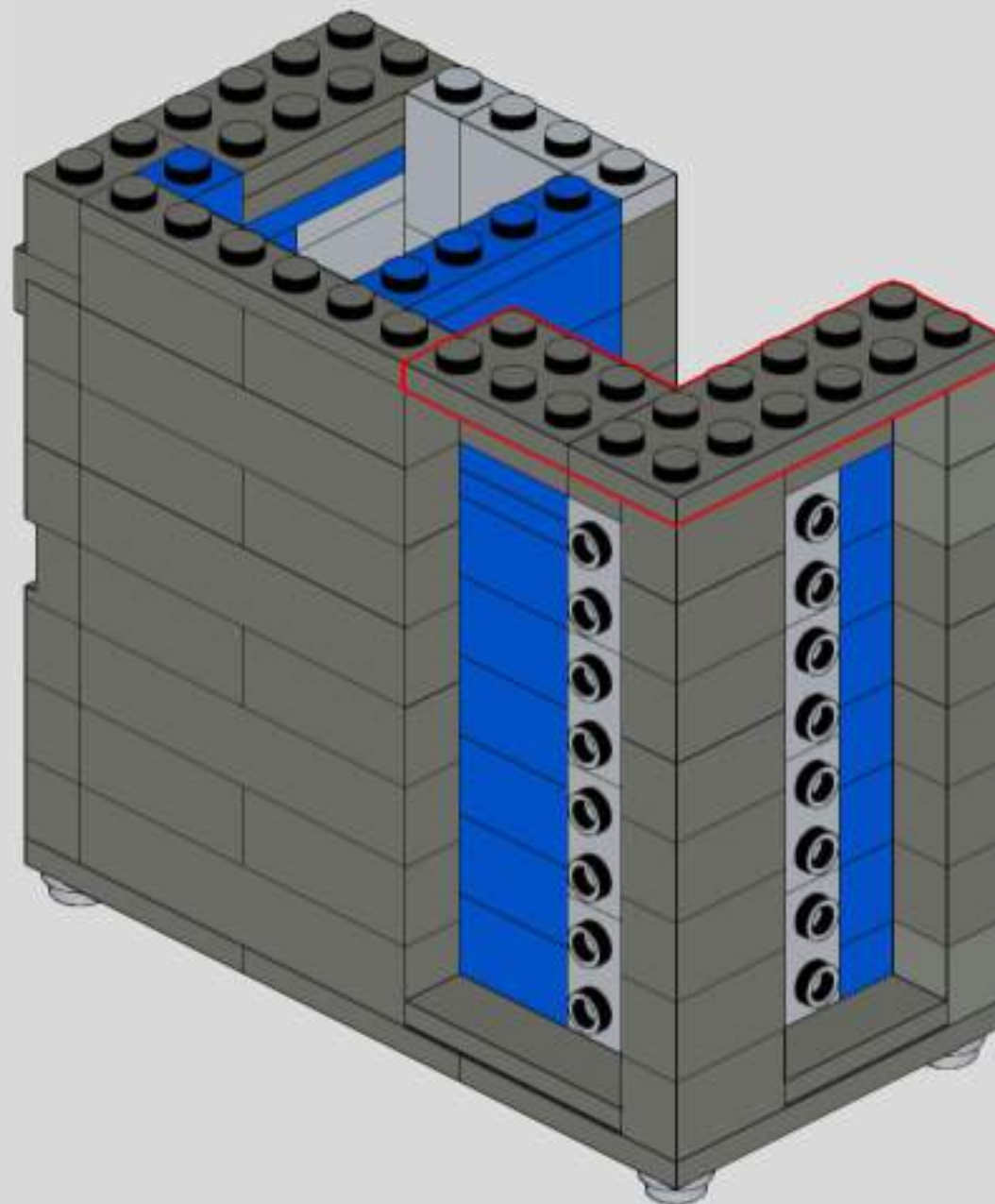
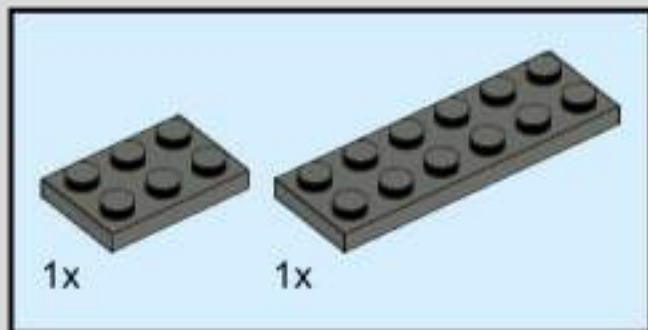
# 29



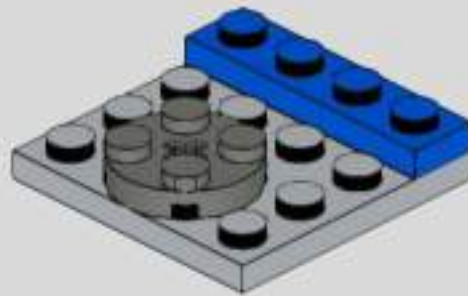
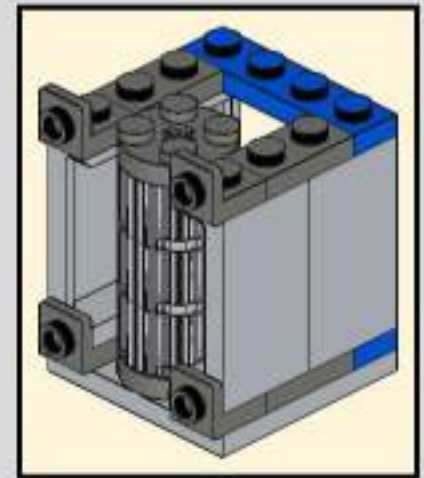
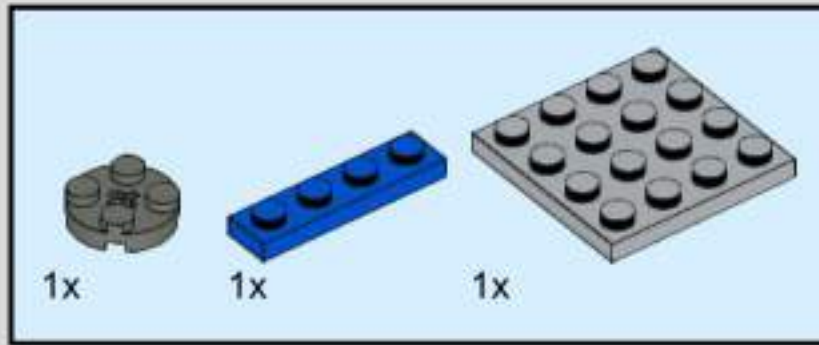
# 30



# 31

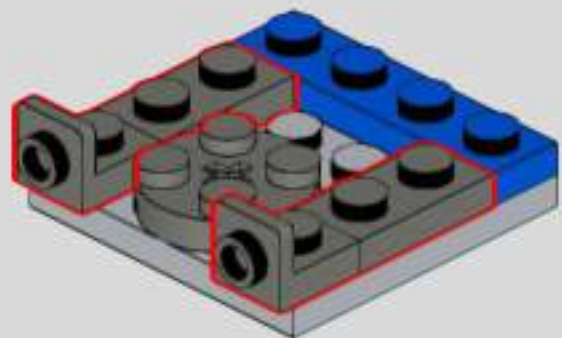
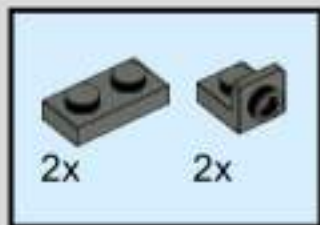


# 32

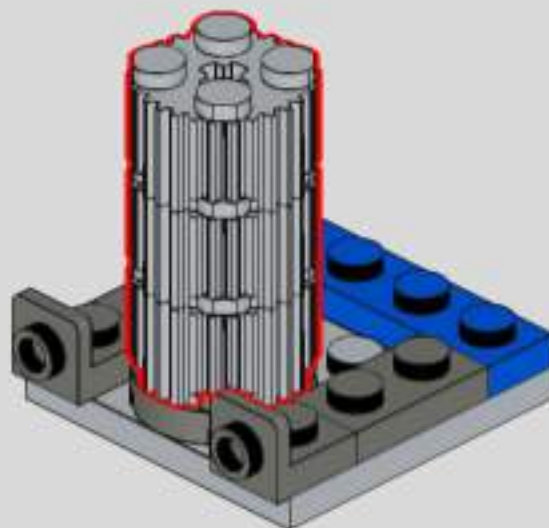




# 33

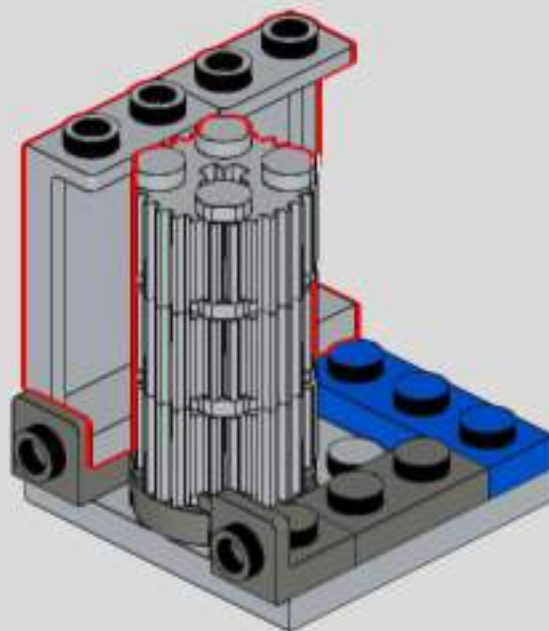


# 34

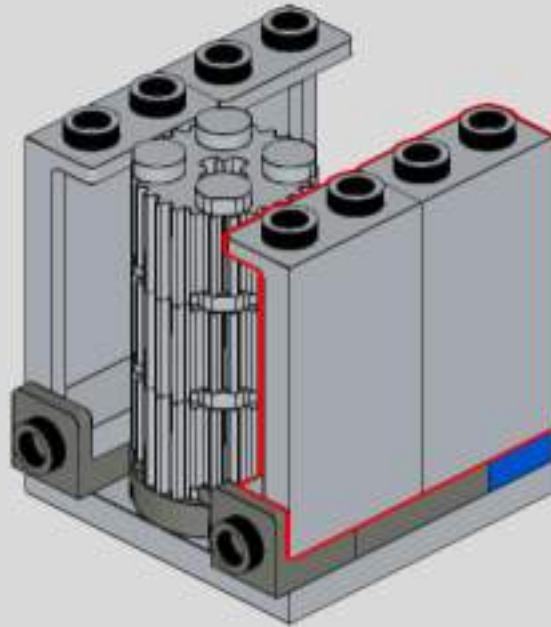




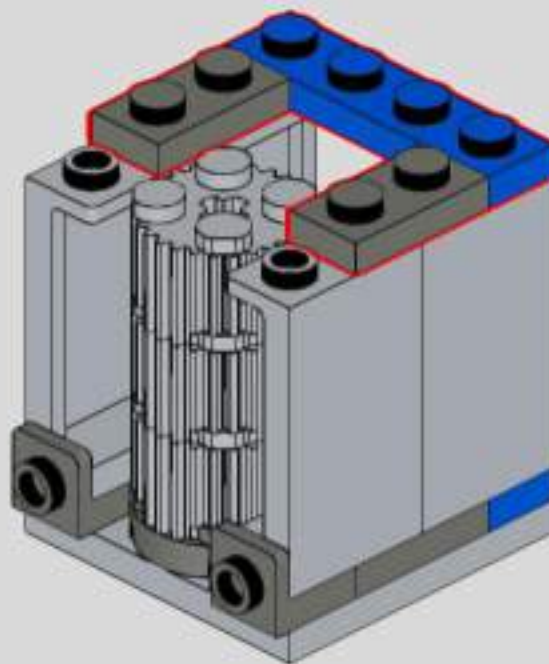
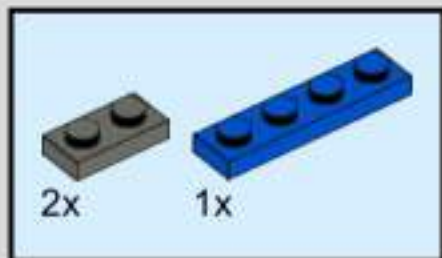
# 35



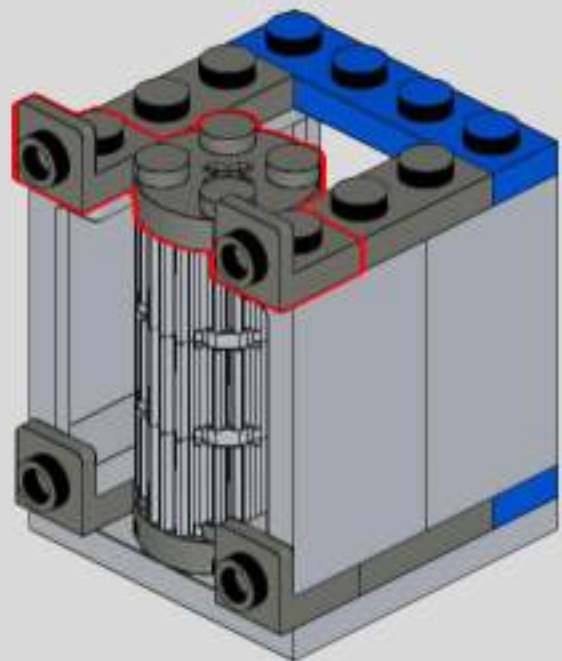
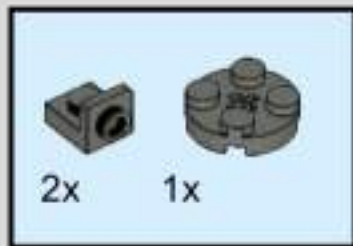
# 36



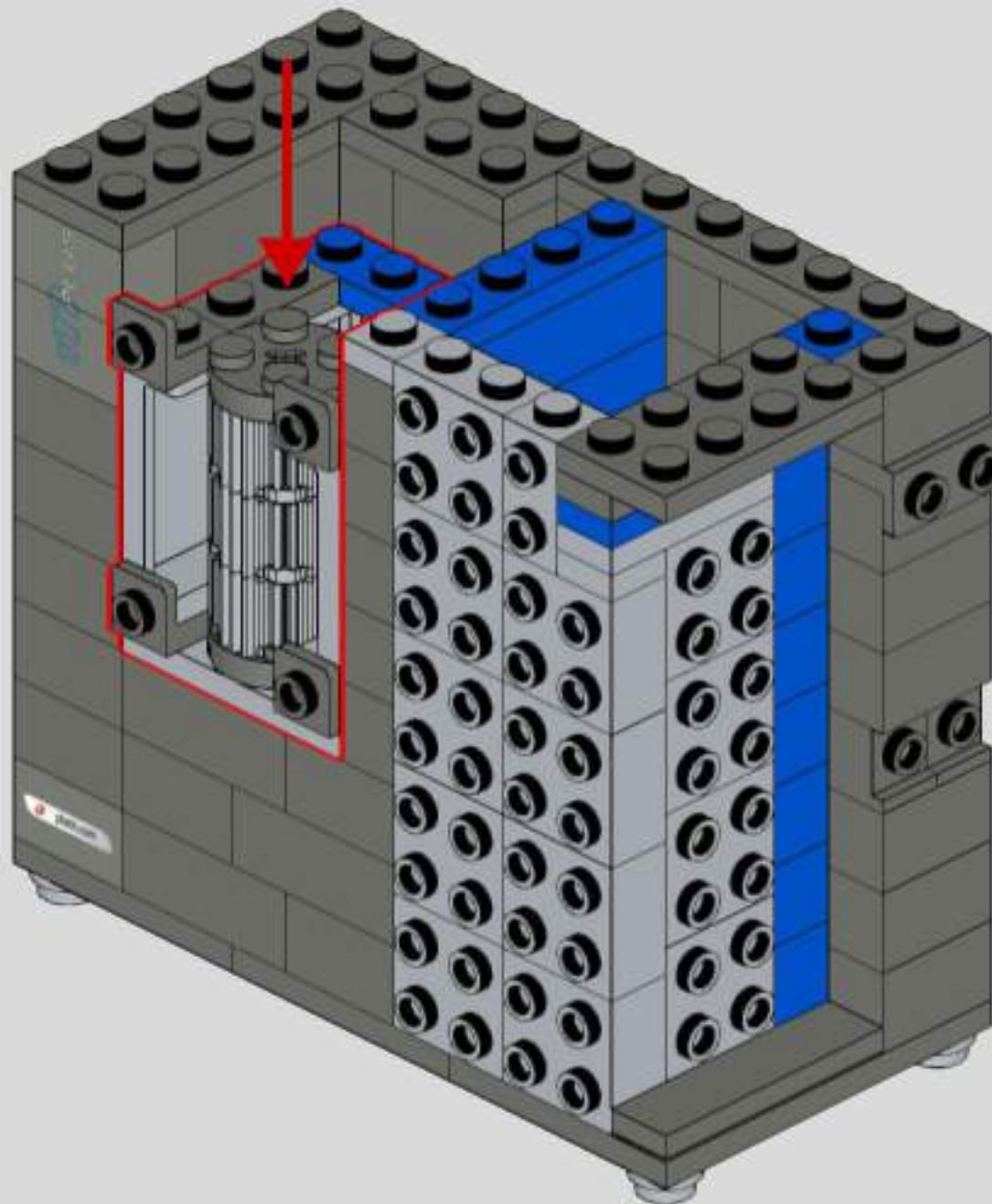
# 37



# 38

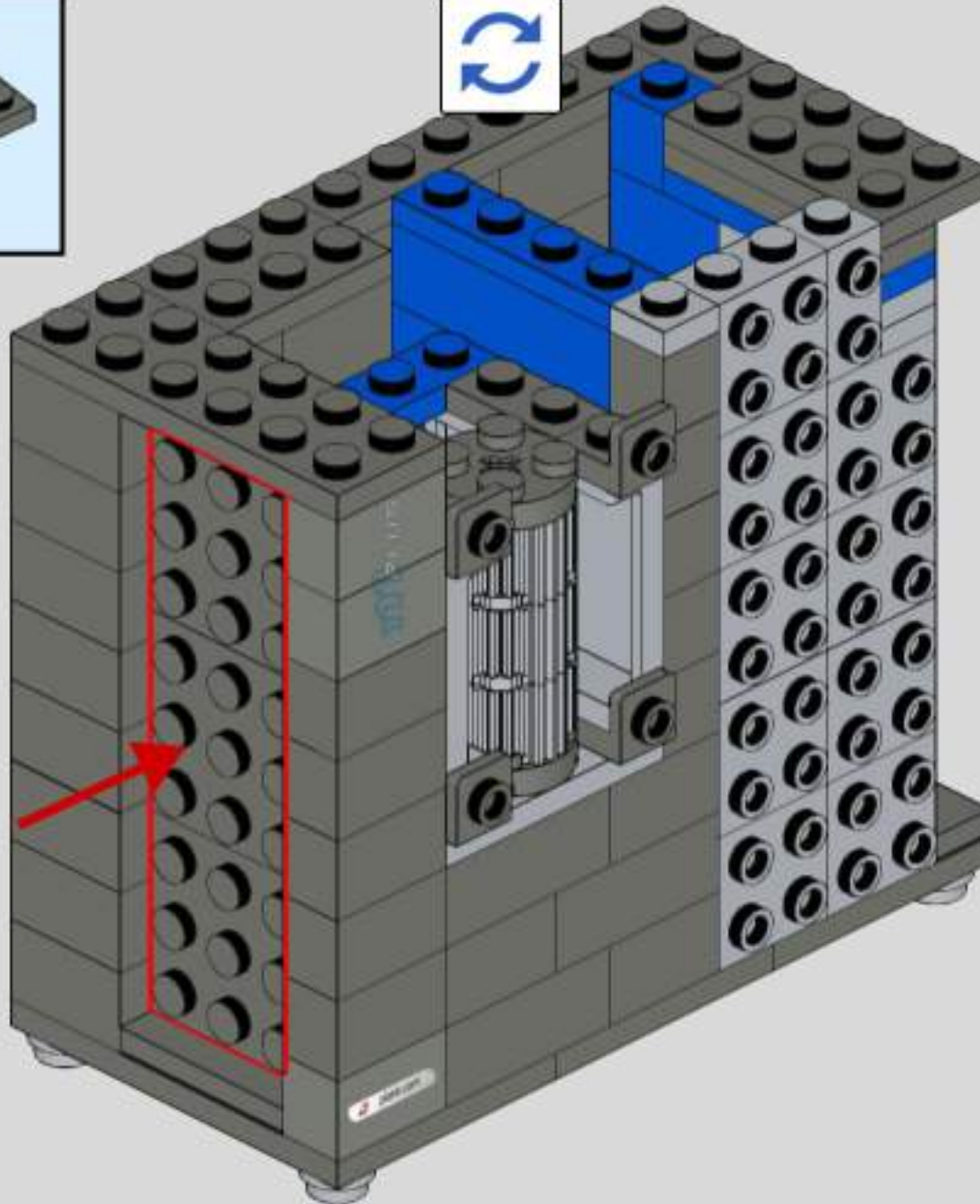
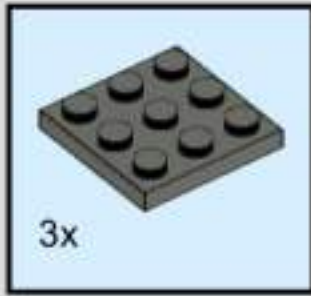


# 39

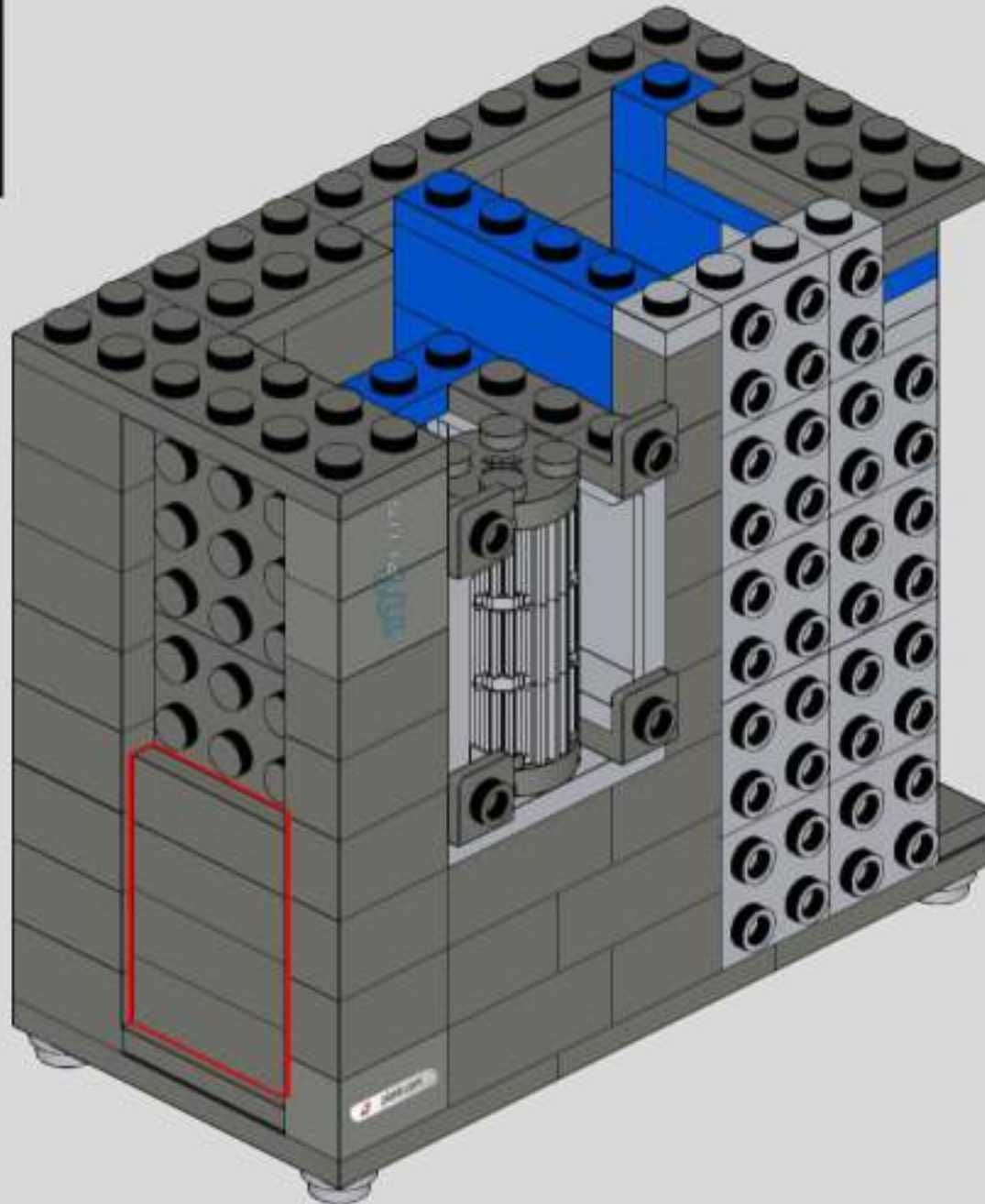
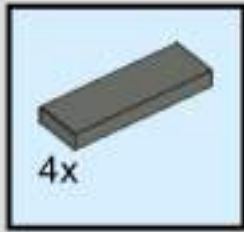




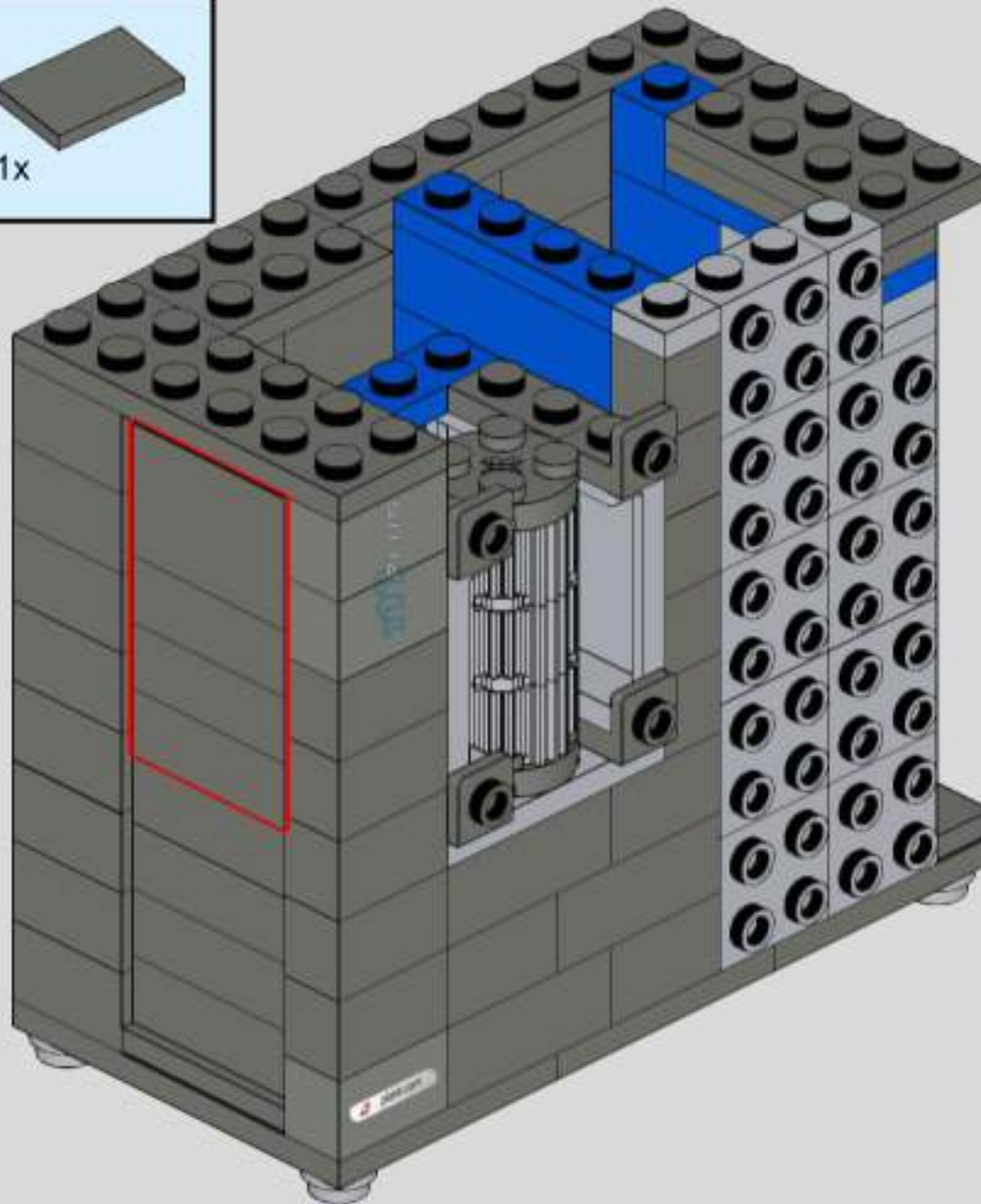
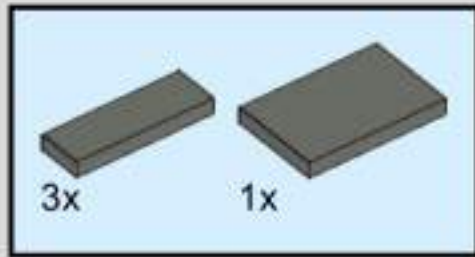
# 40



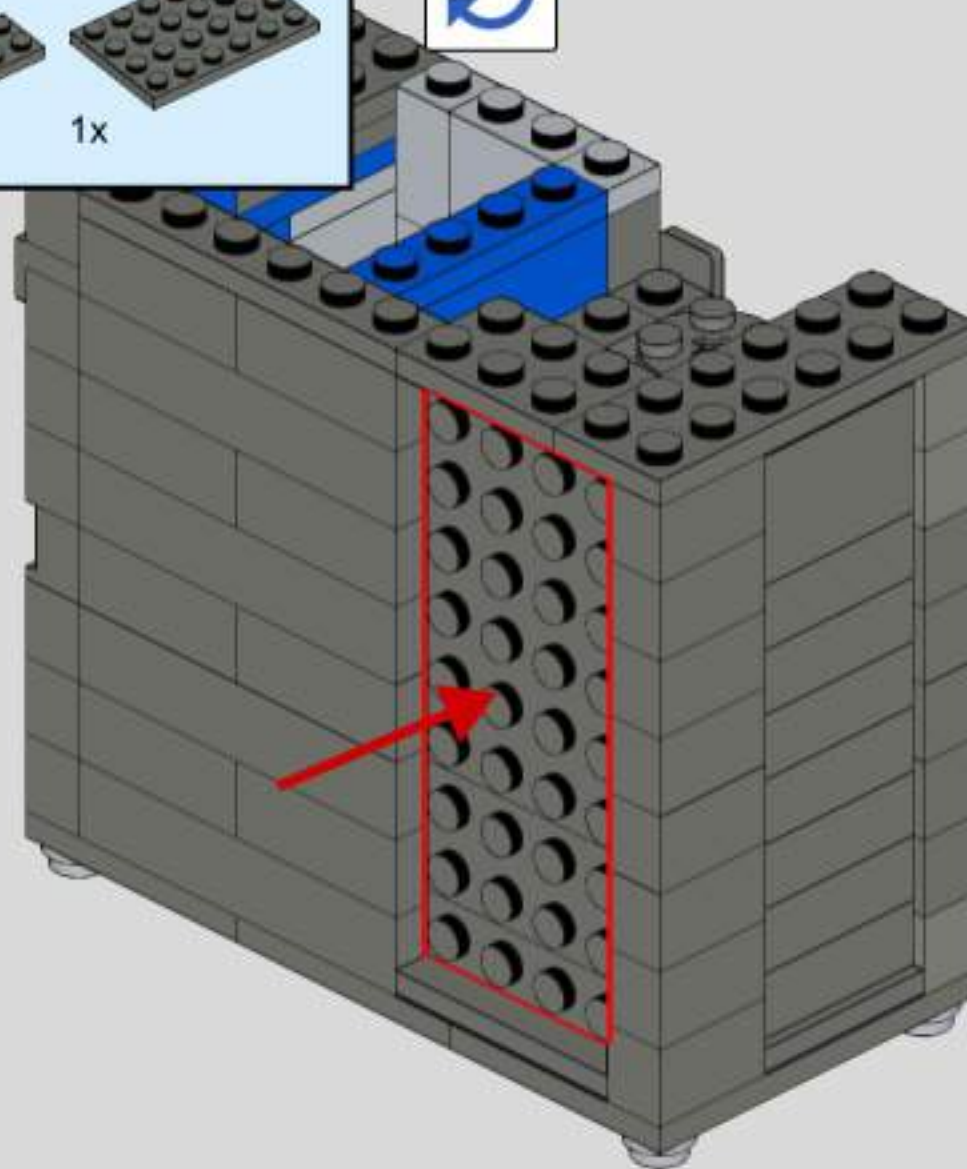
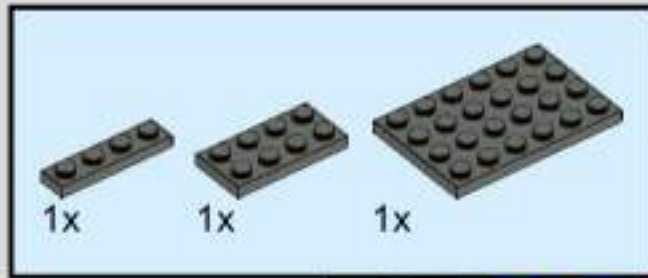
# 41



# 42

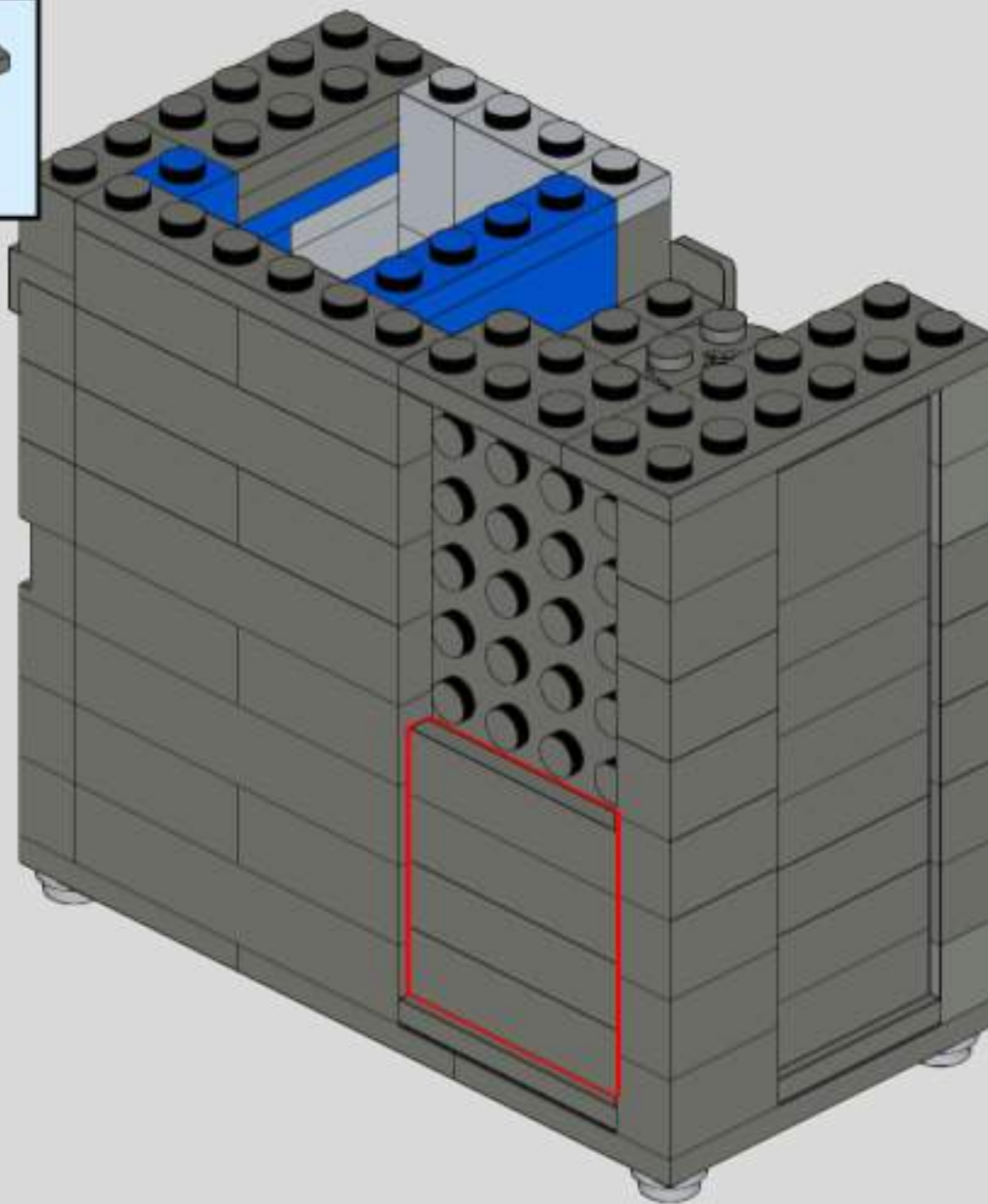
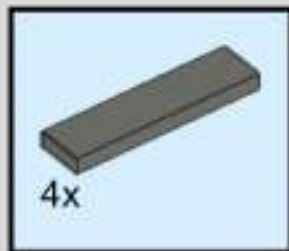


# 43



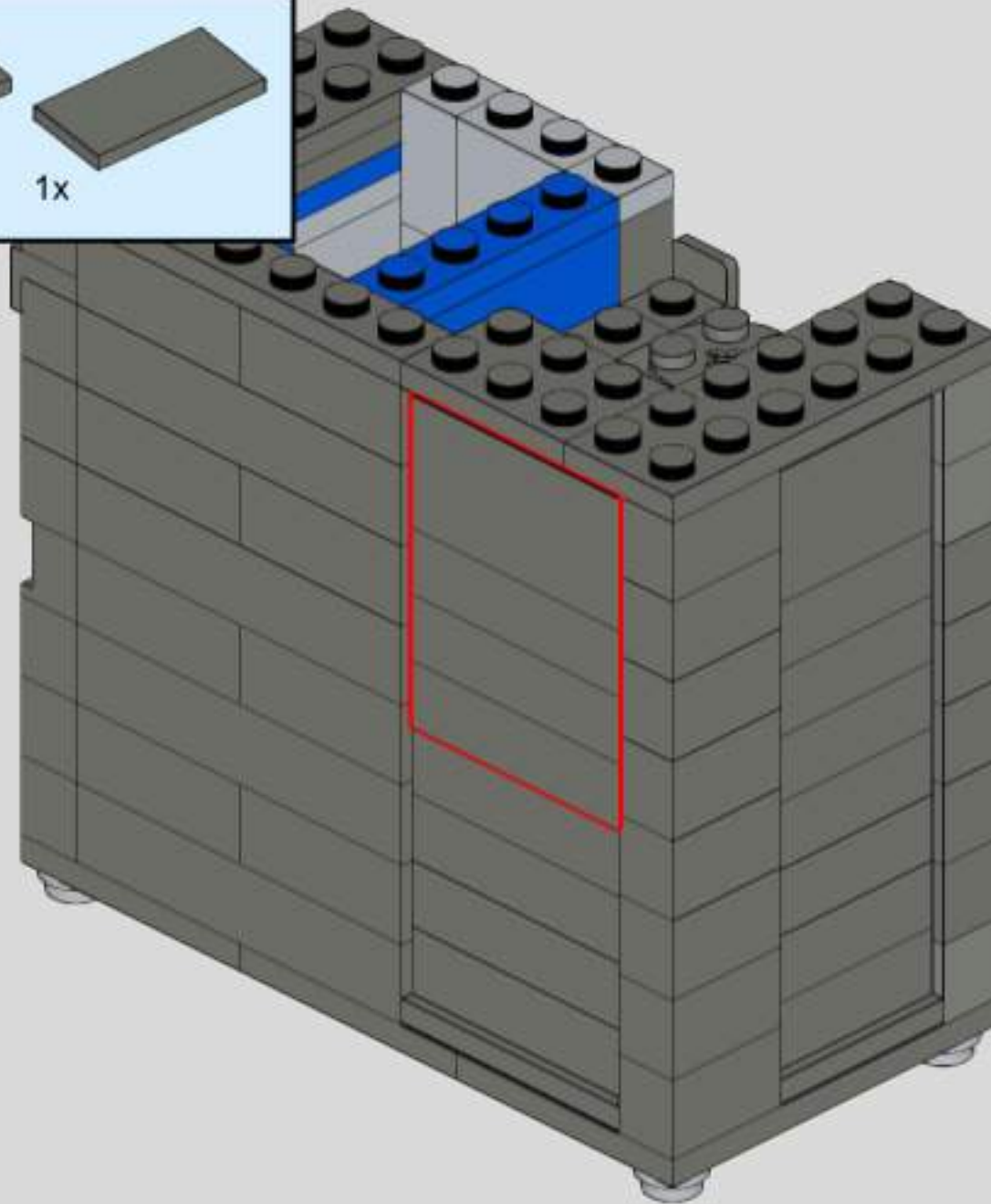
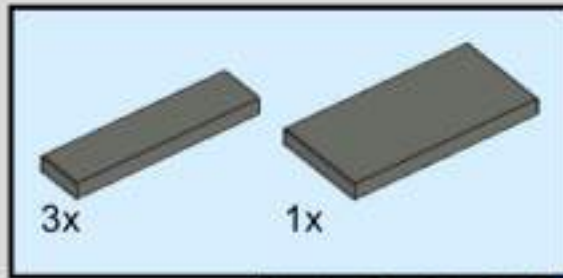


# 44

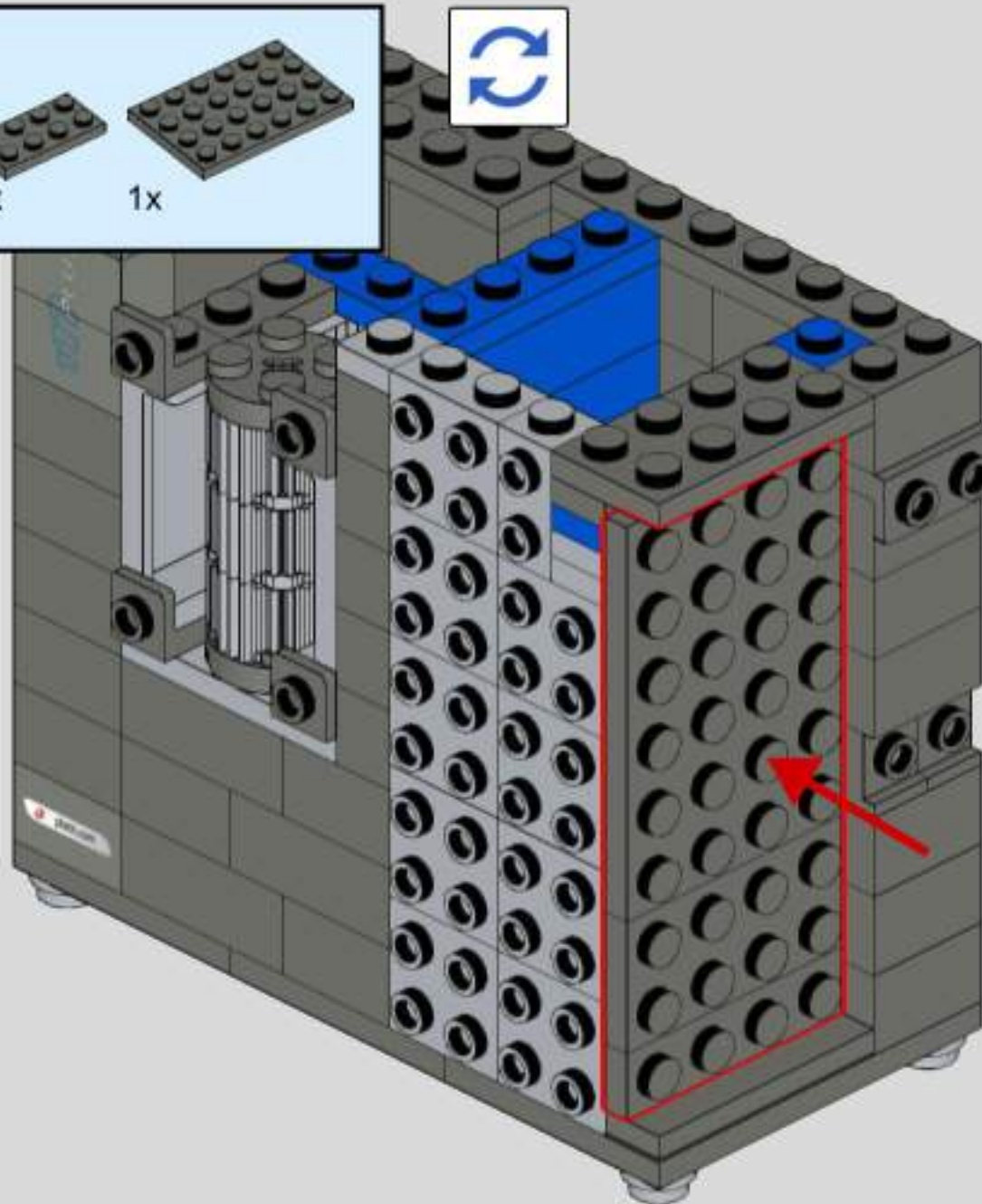
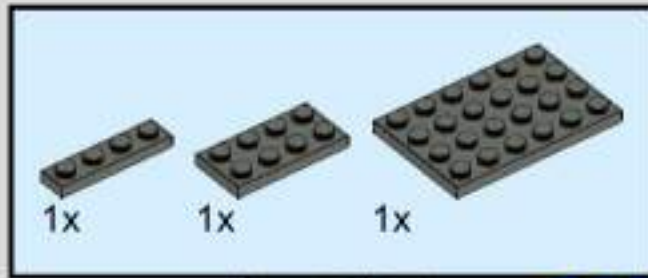




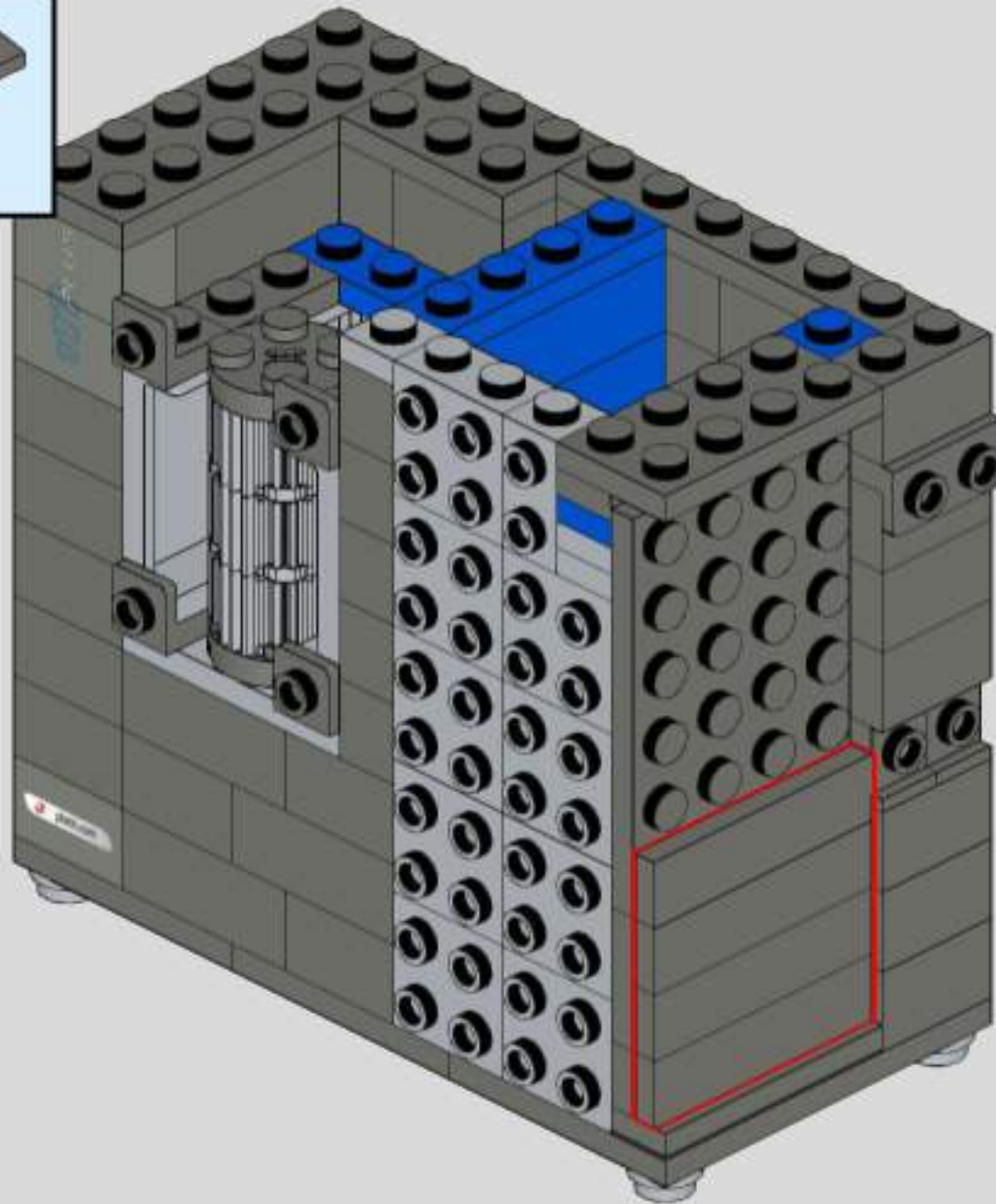
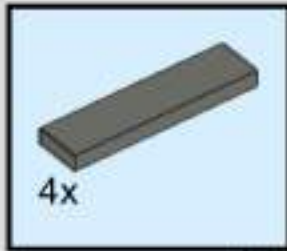
# 45



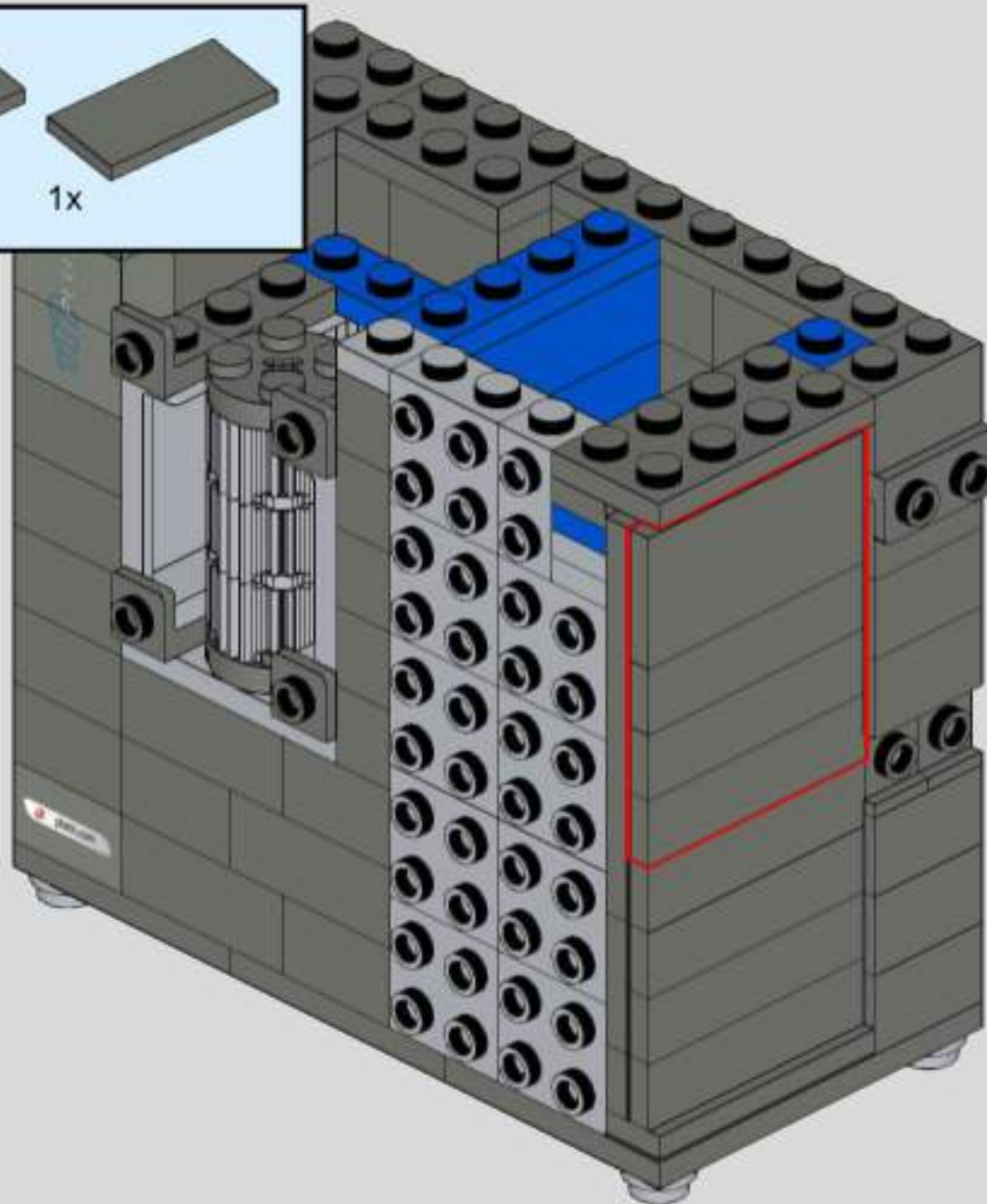
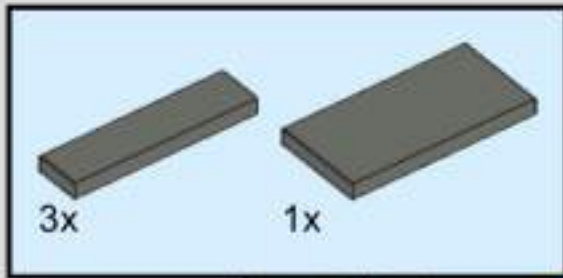
# 46



# 47

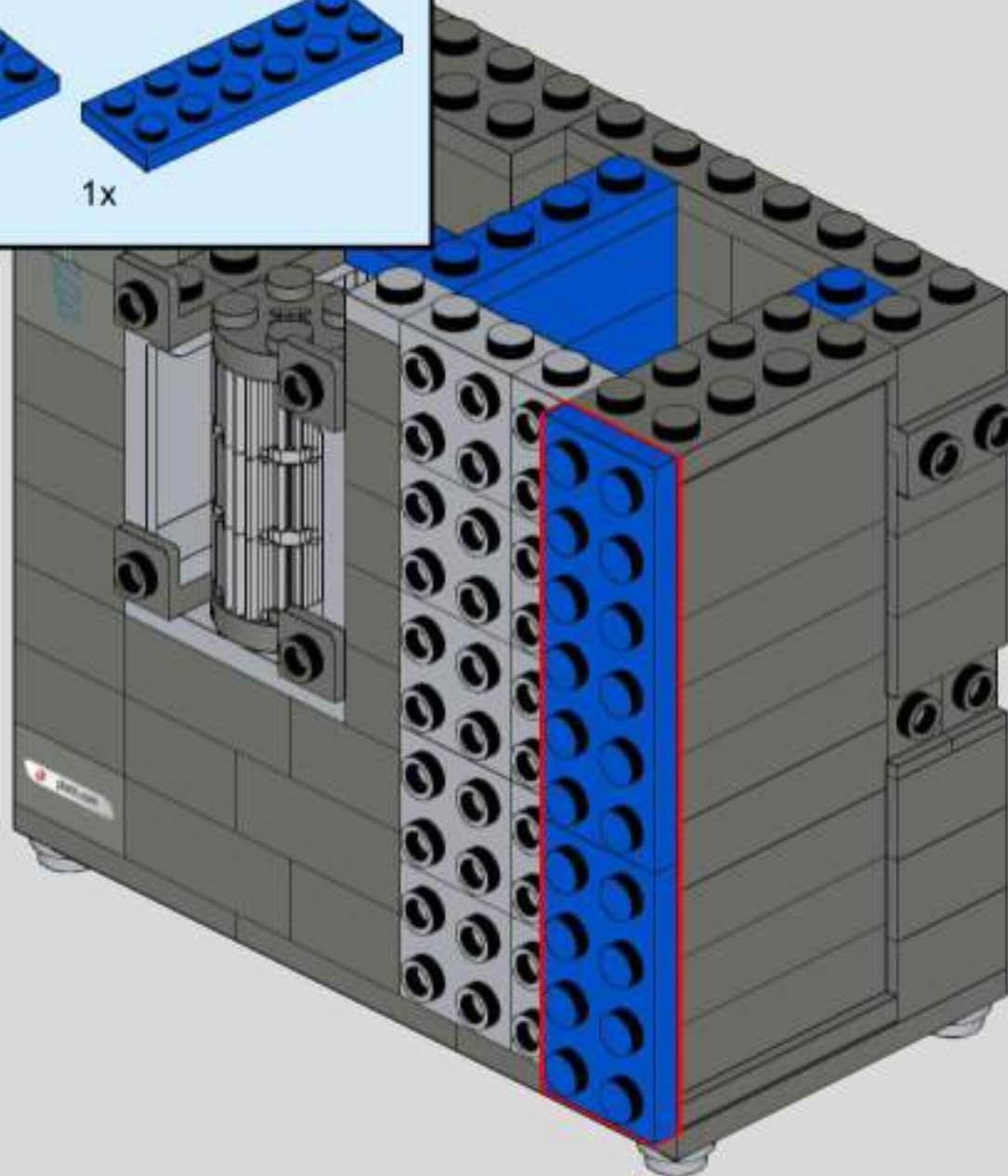
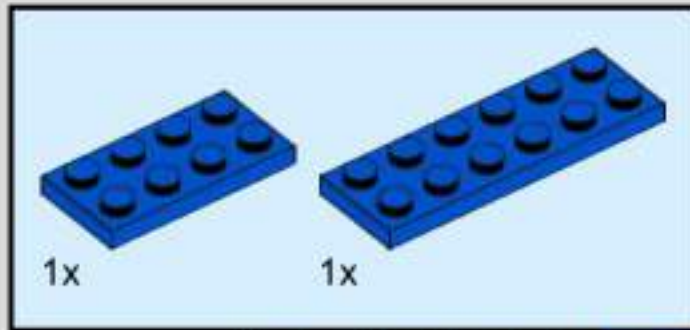


# 48



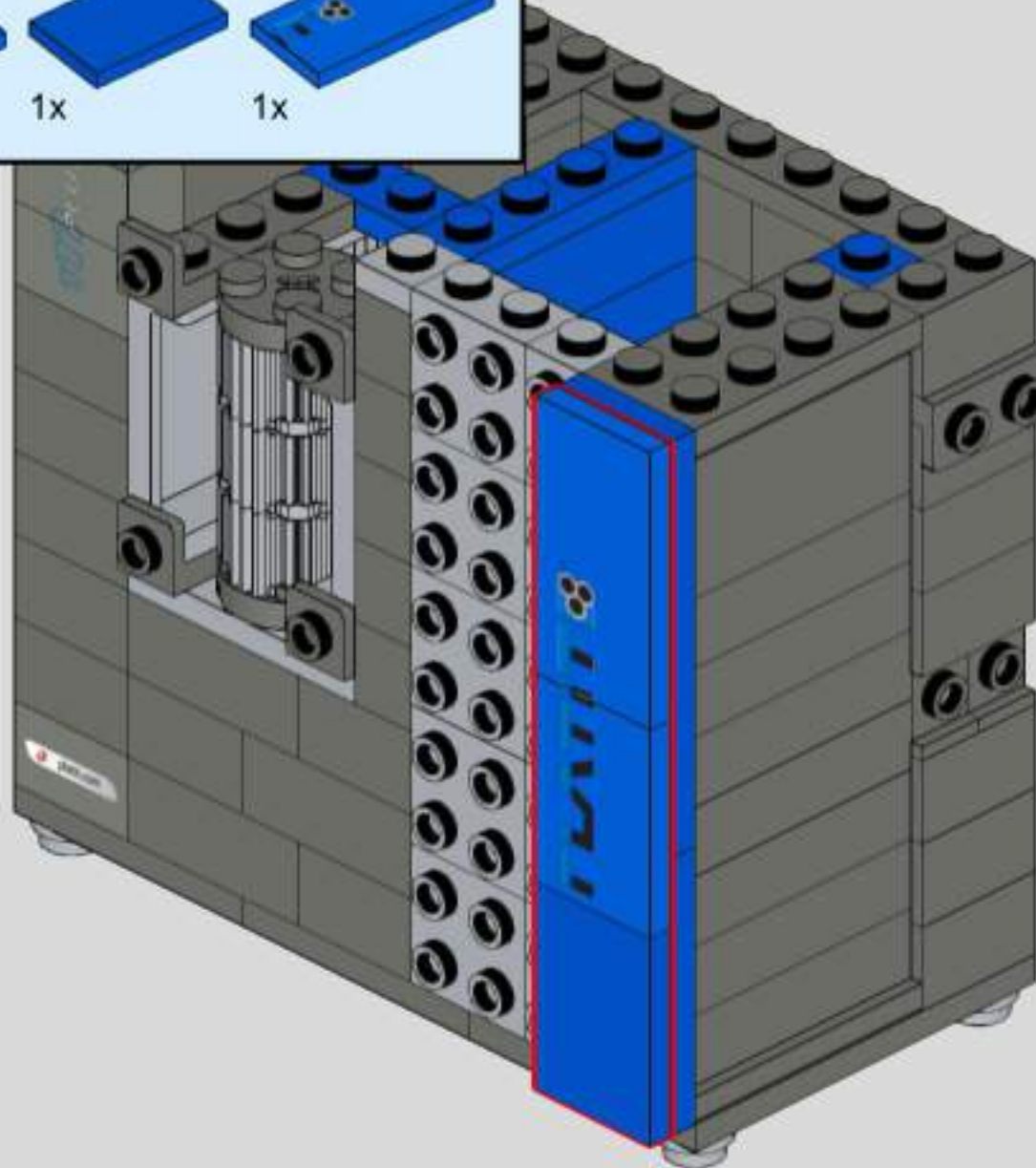
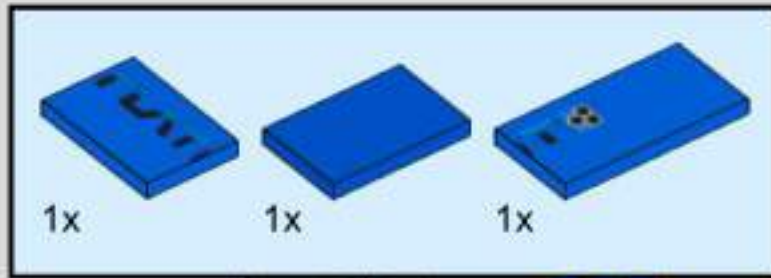


# 49

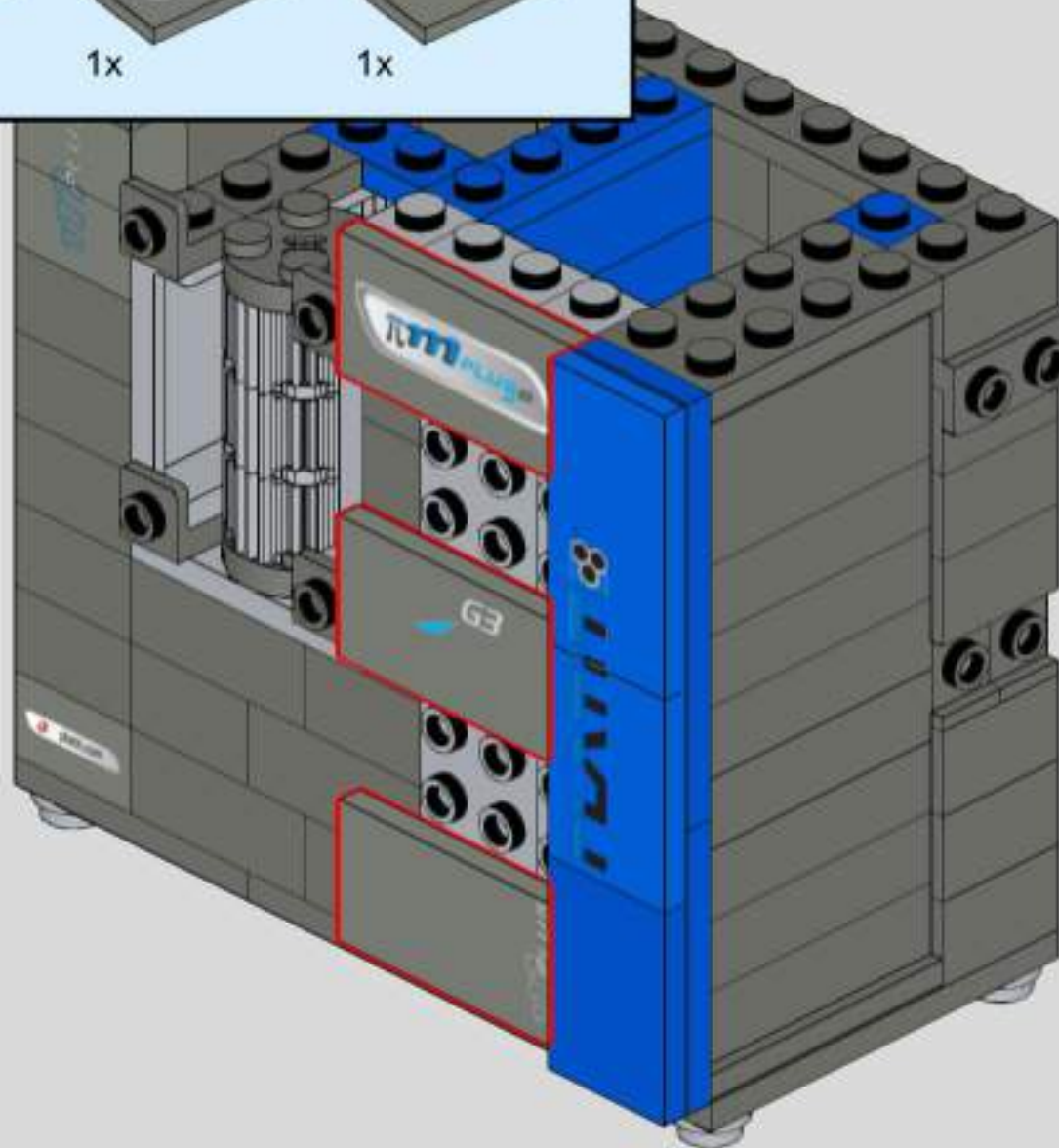
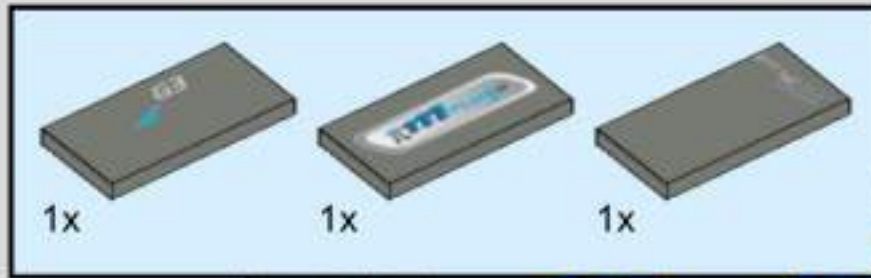




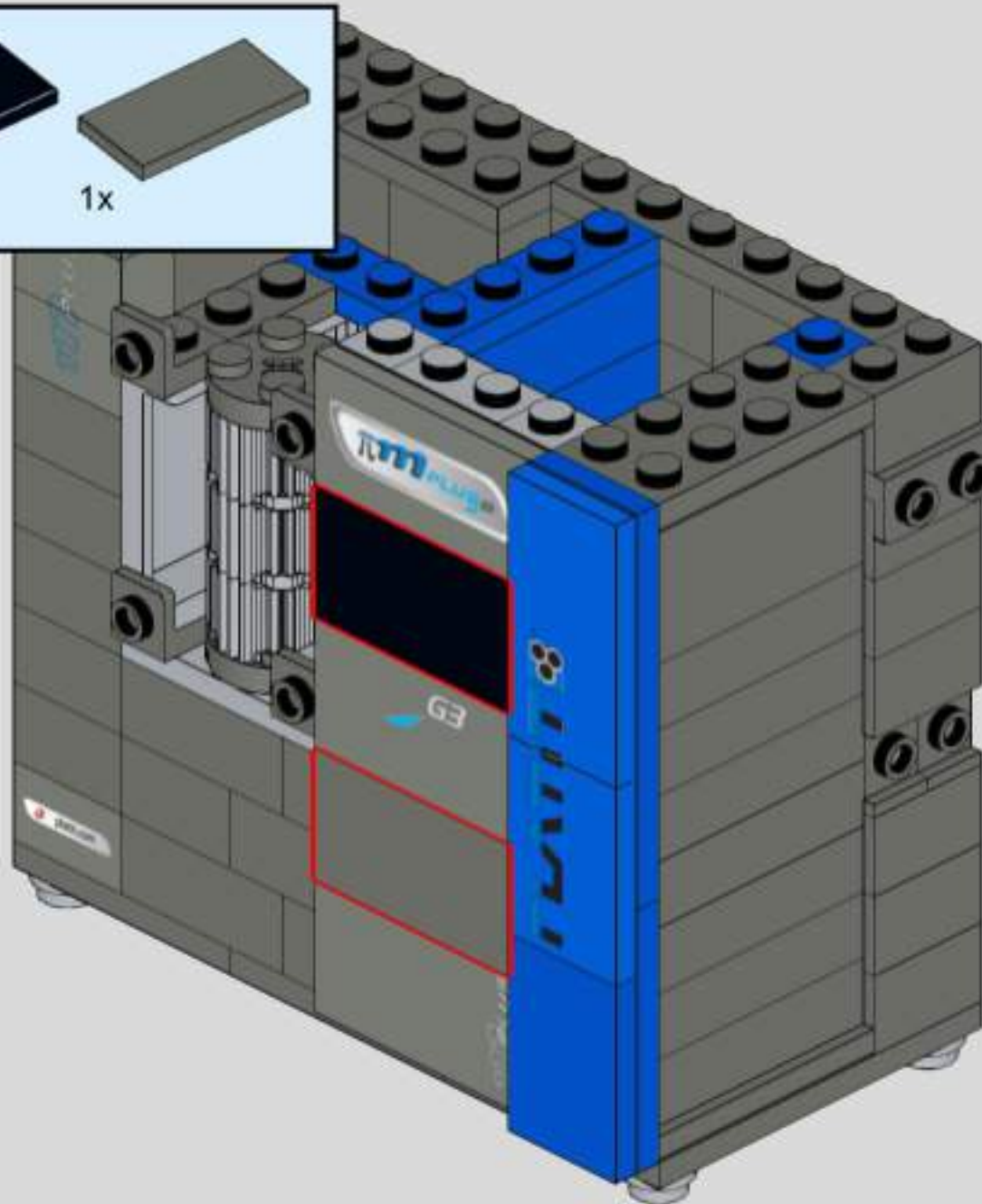
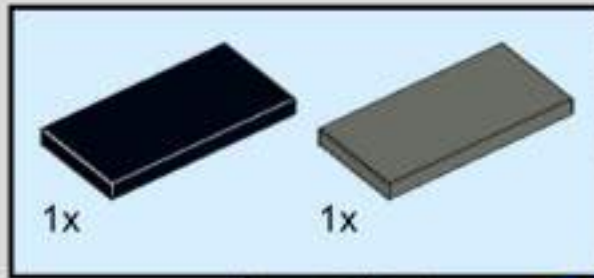
# 50



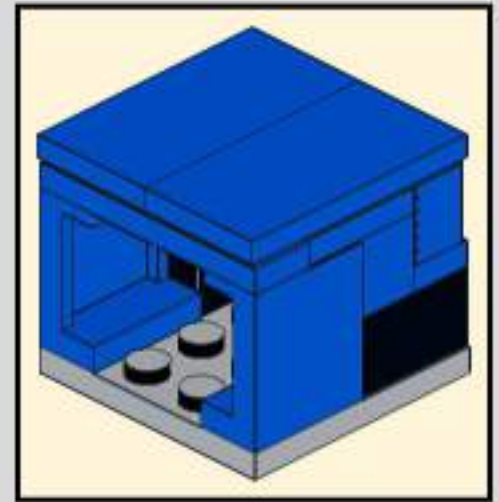
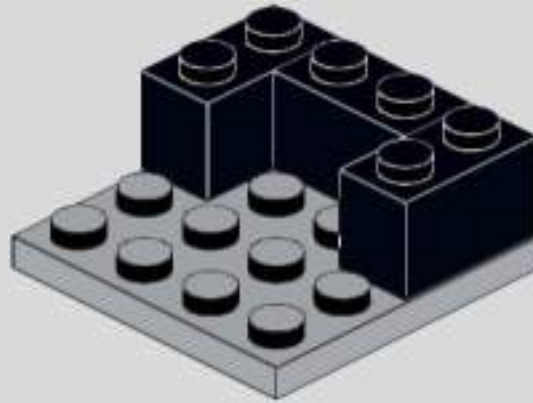
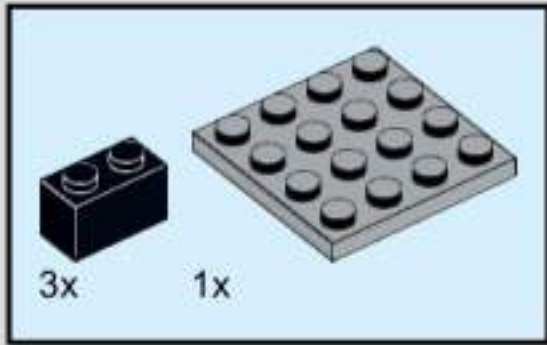
# 51



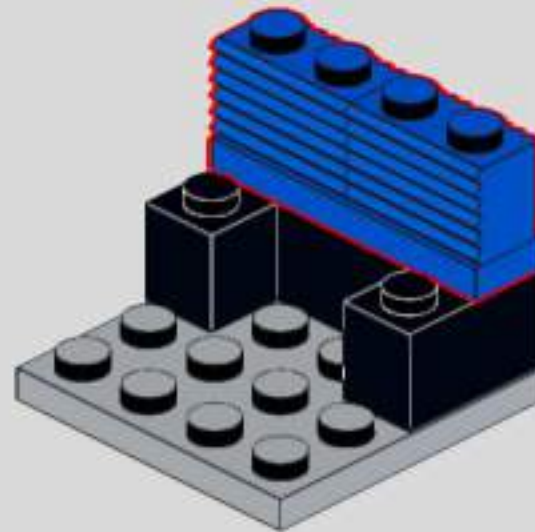
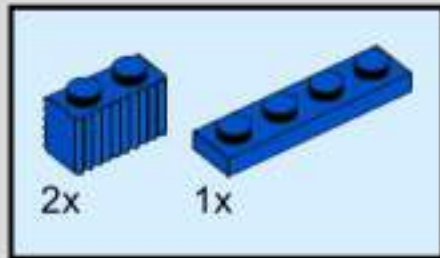
# 52



53

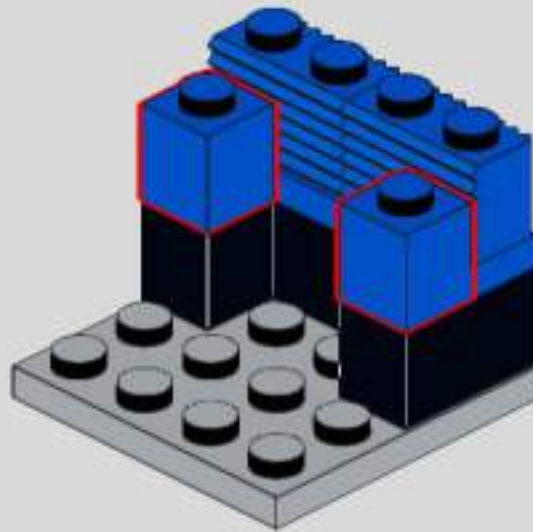


# 54

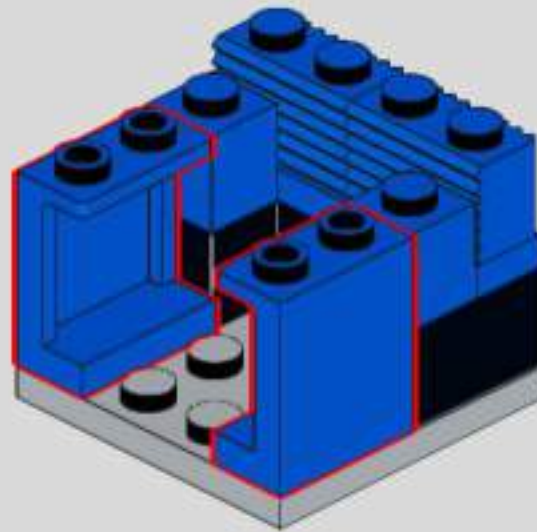




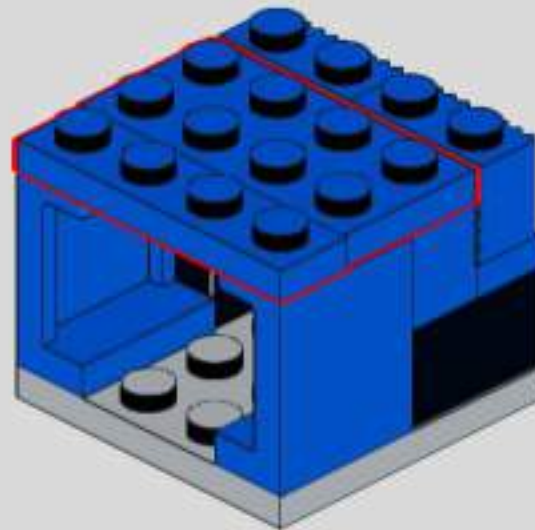
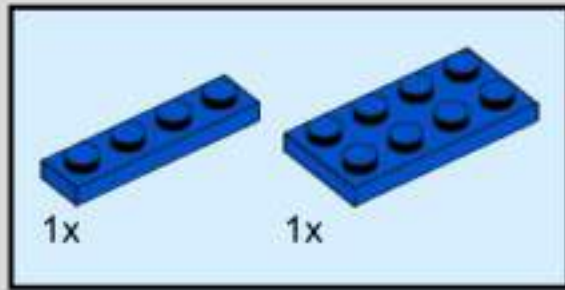
# 55



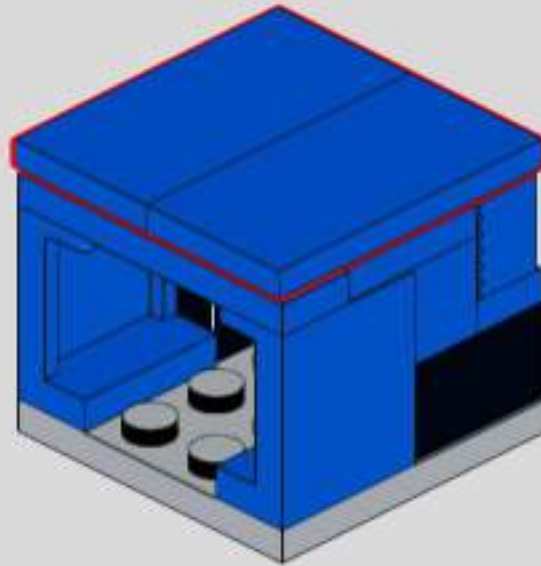
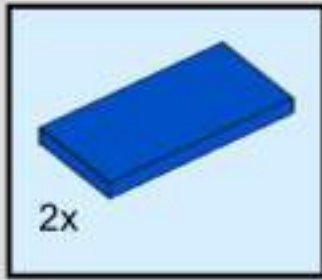
# 56



# 57



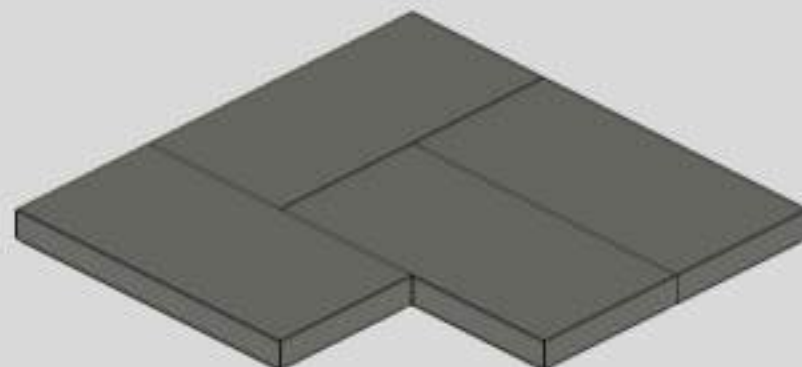
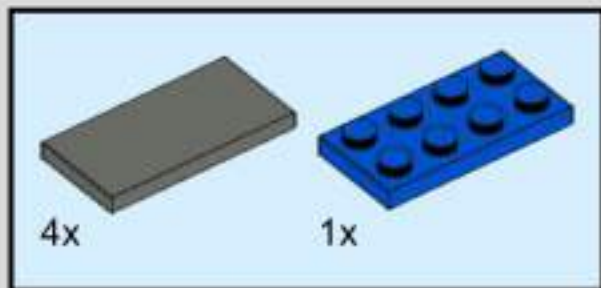
# 58



# 59

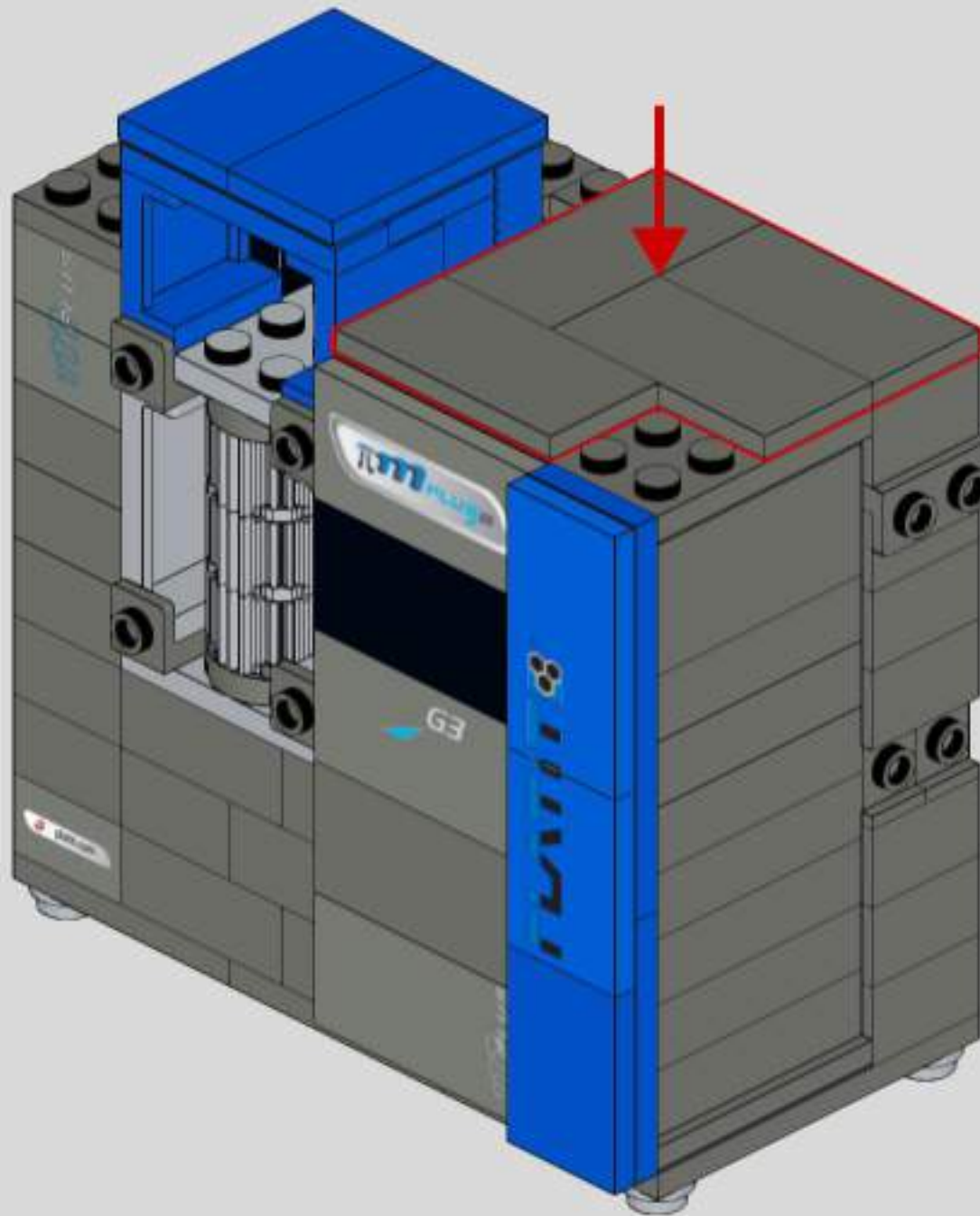


# 60

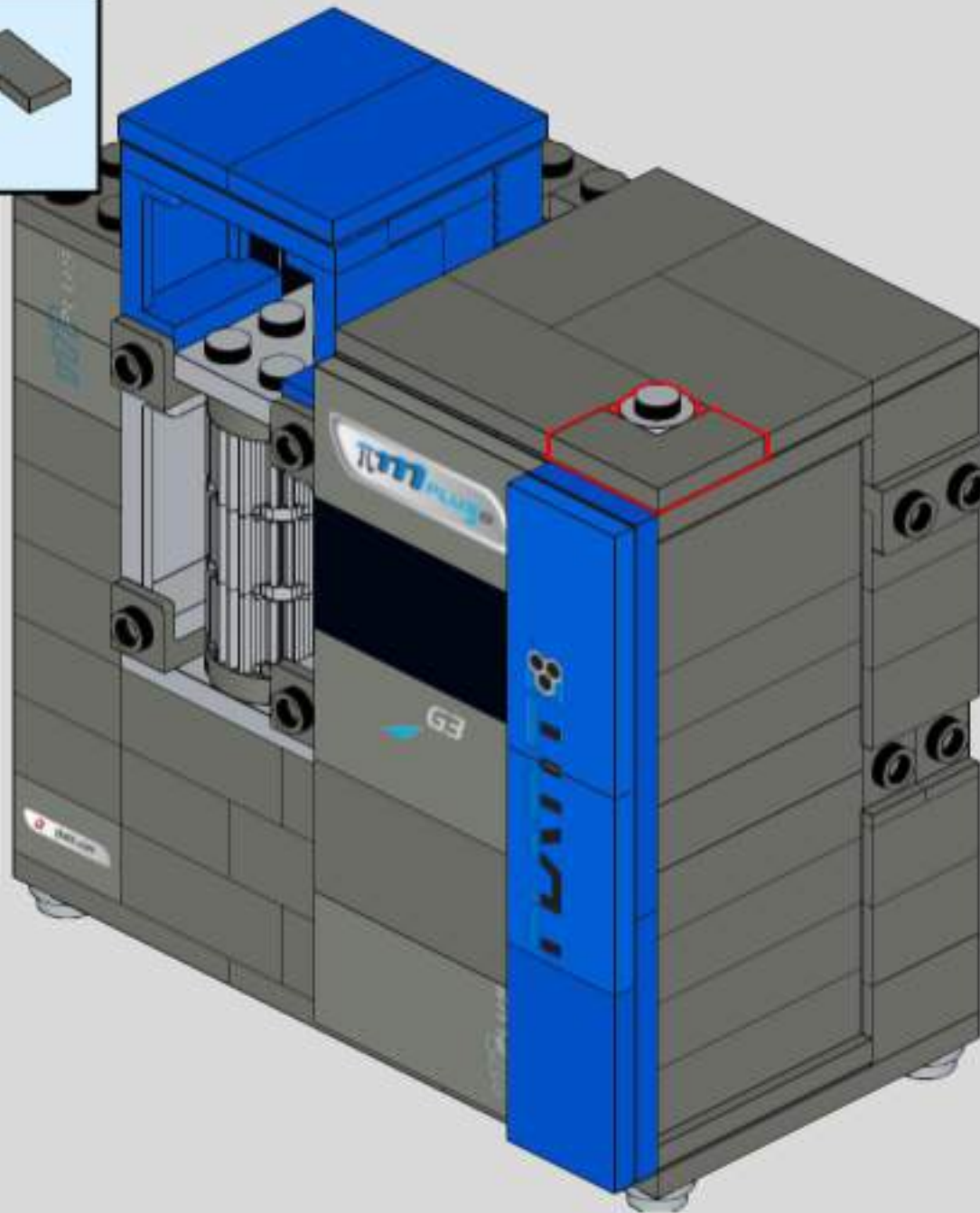
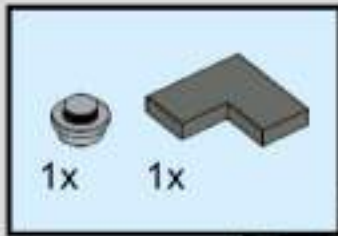




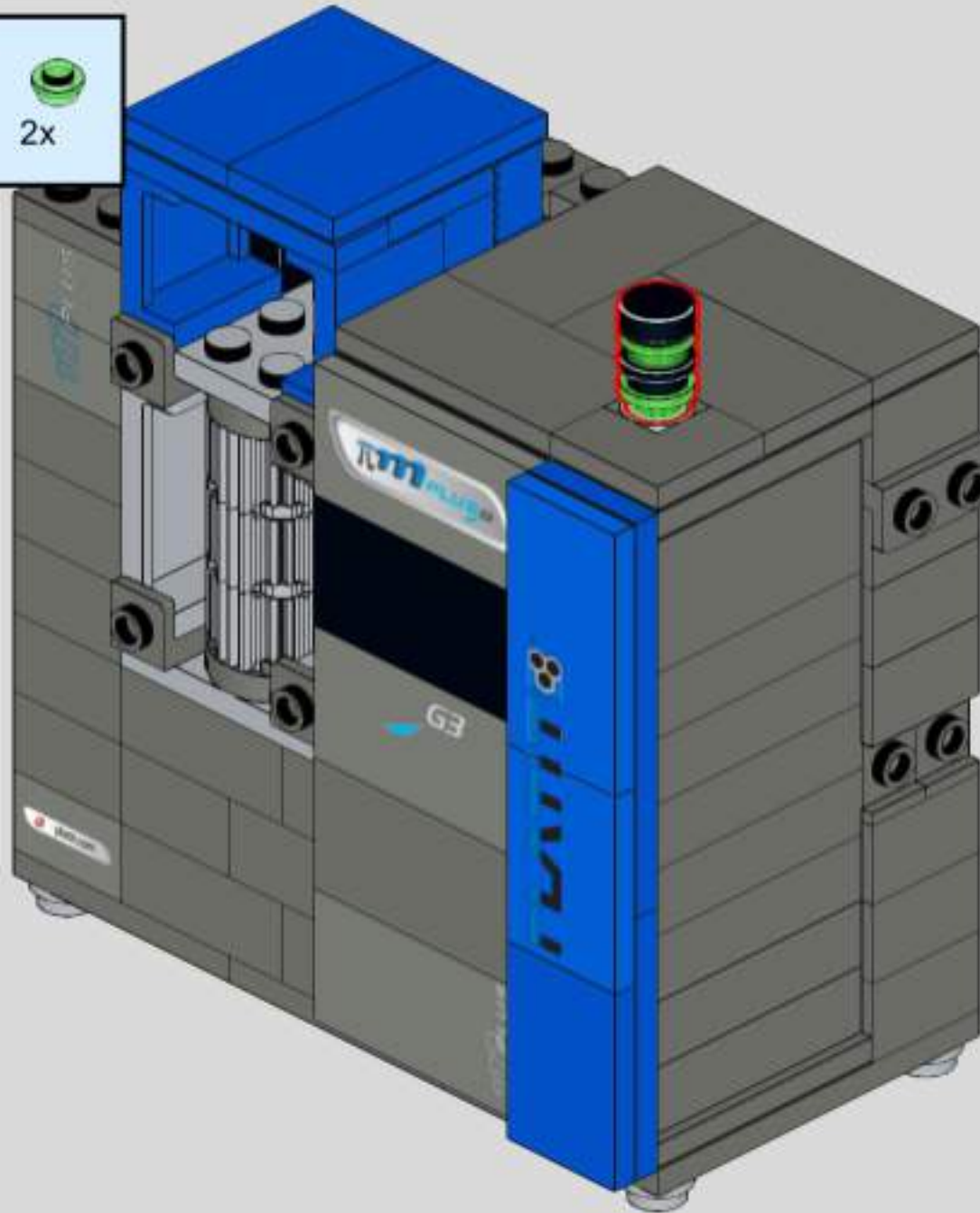
# 61



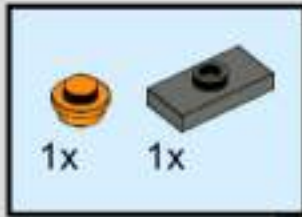
# 62



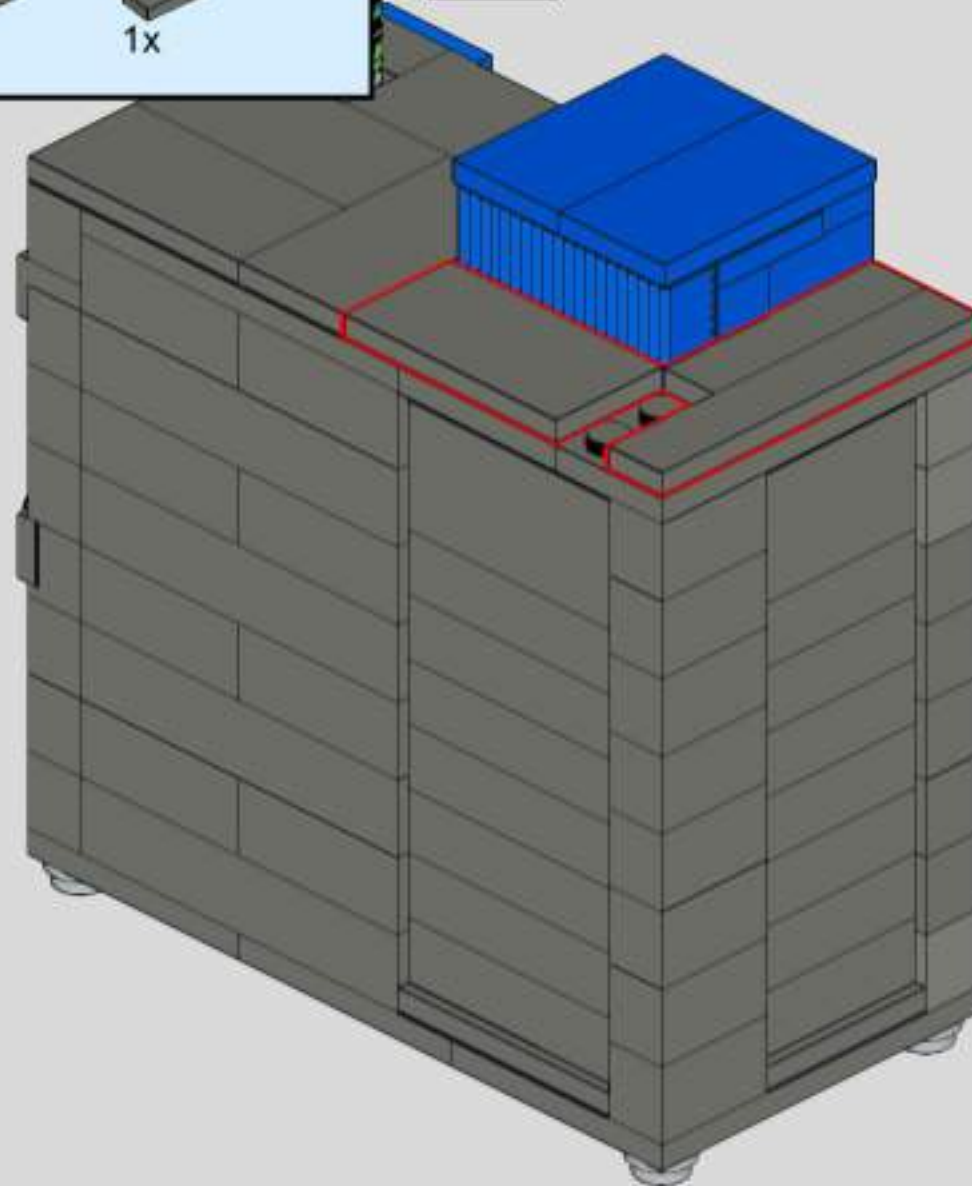
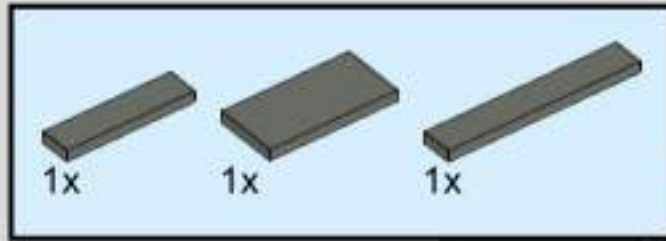
# 63



# 64

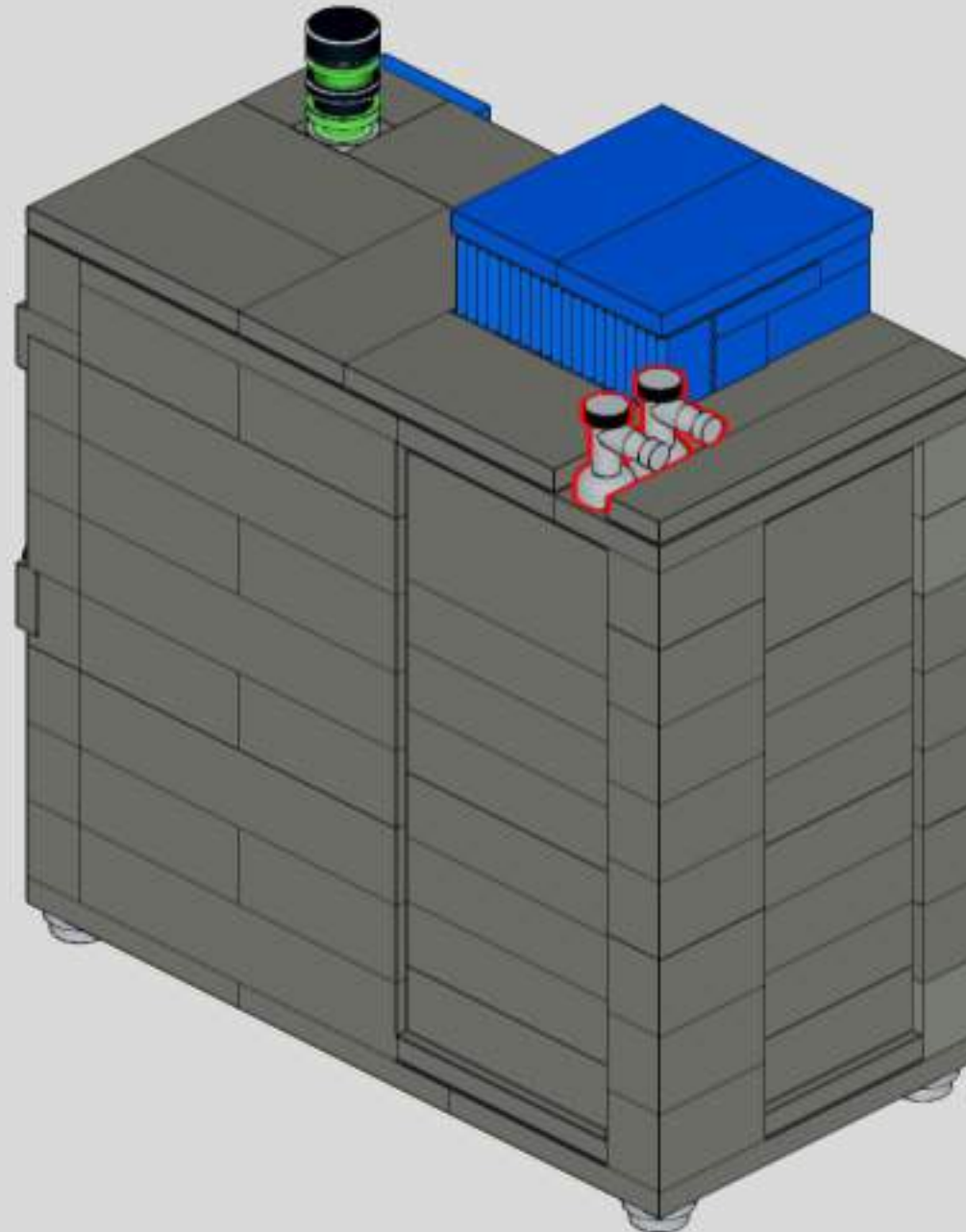


# 65

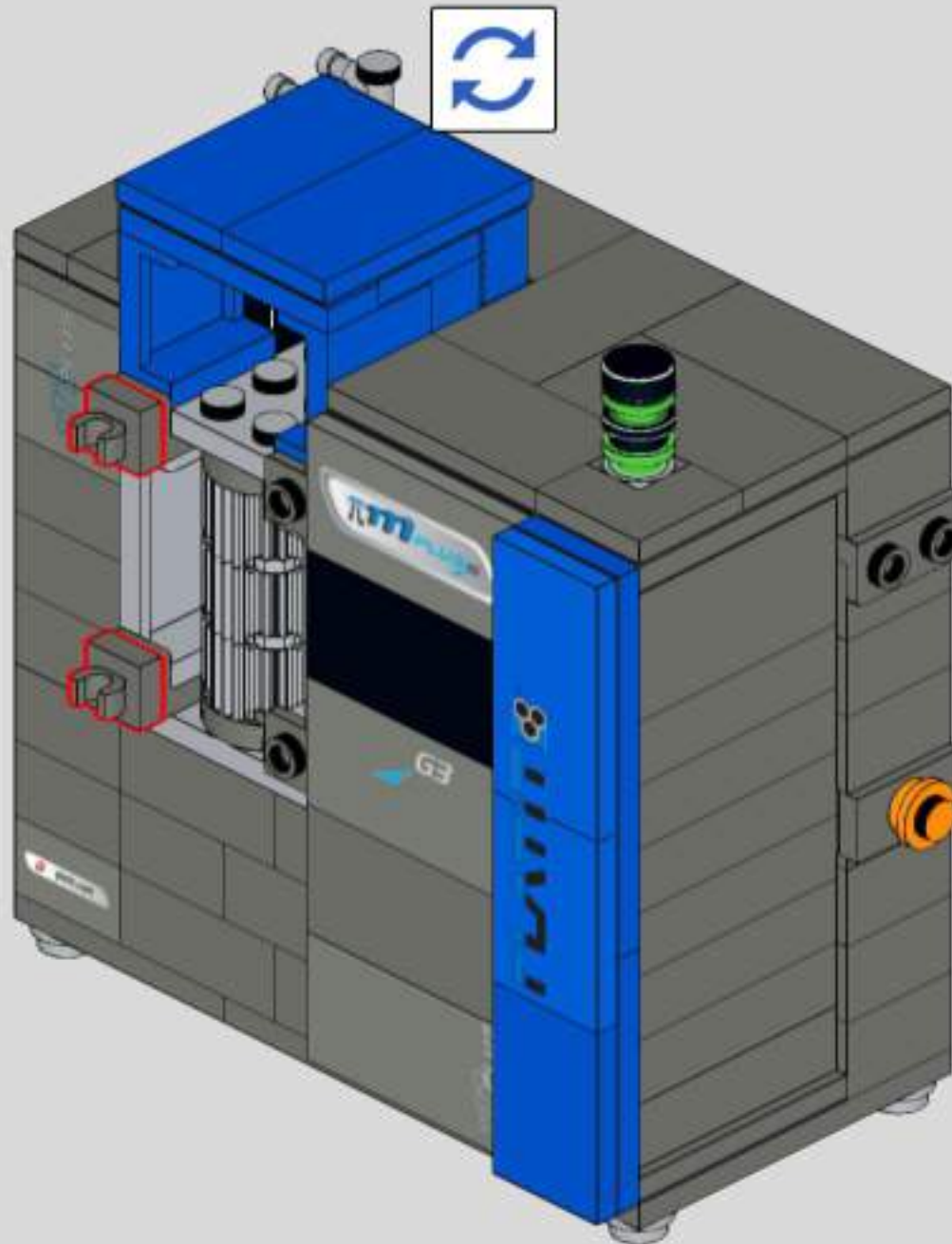




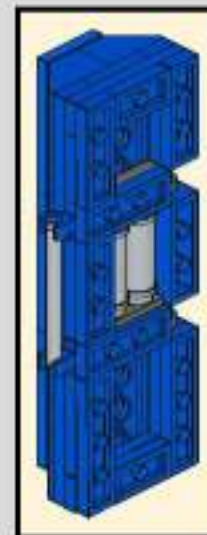
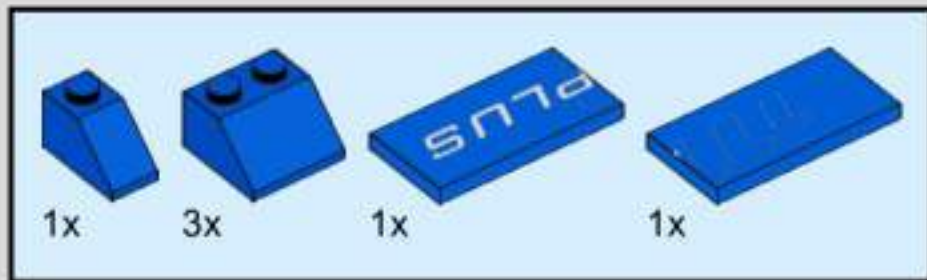
# 66



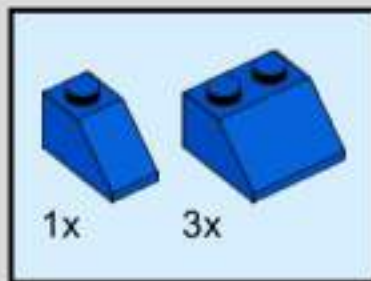
# 67



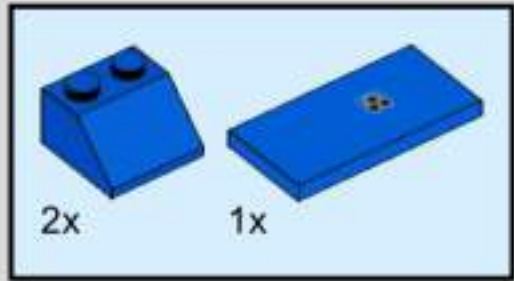
# 68



# 69

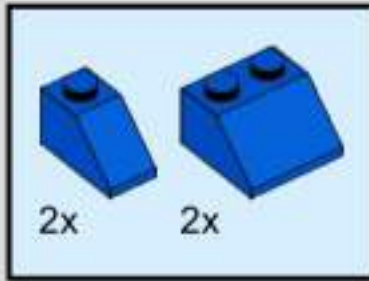


# 70

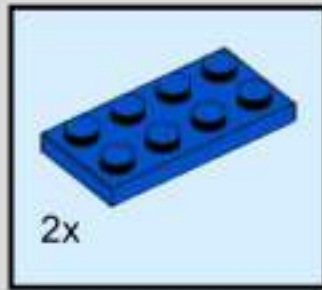




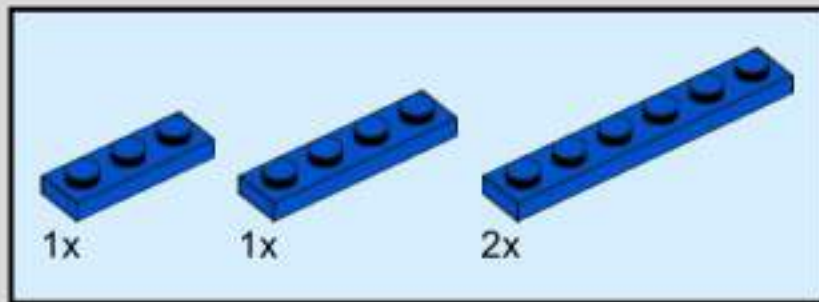
# 71



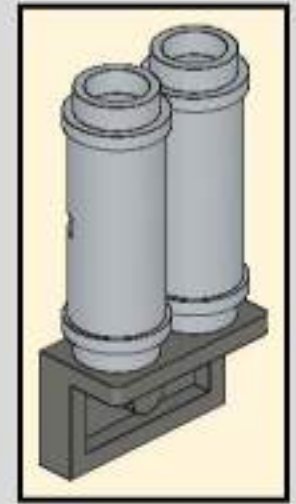
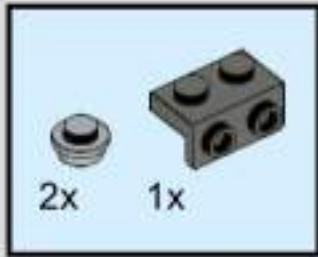
# 72



# 73



# 74

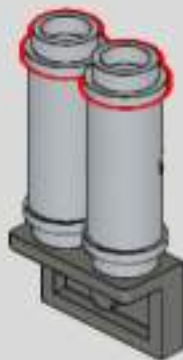


# 75

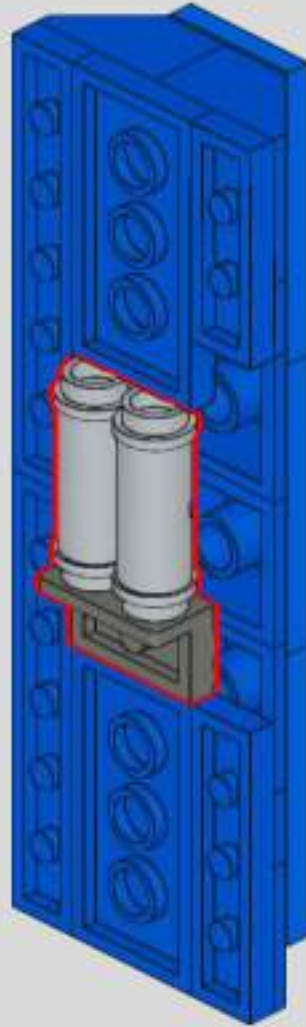




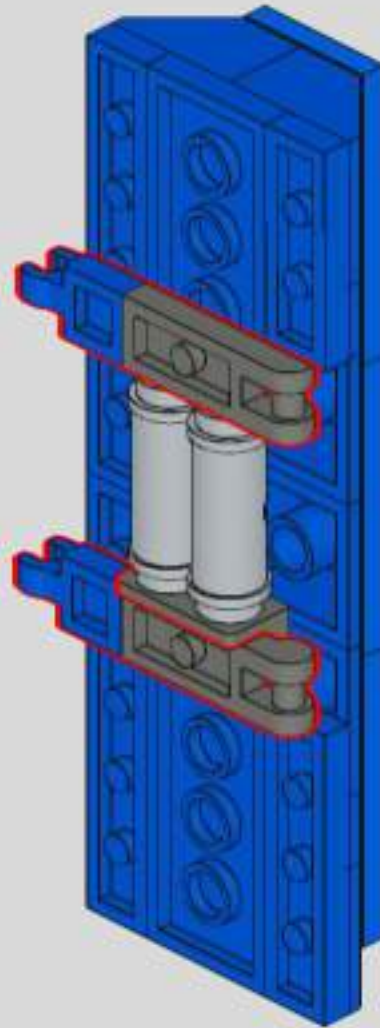
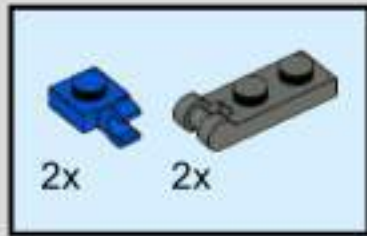
# 76



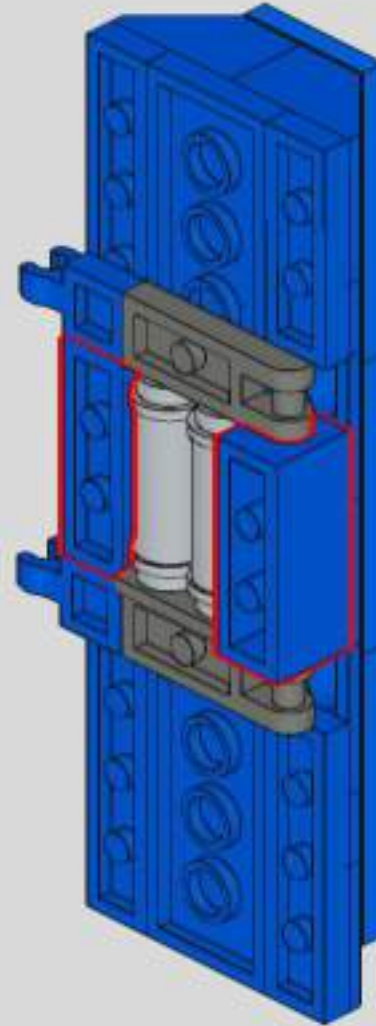
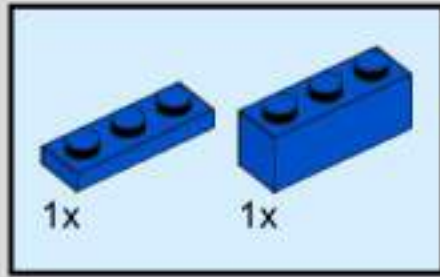
# 77



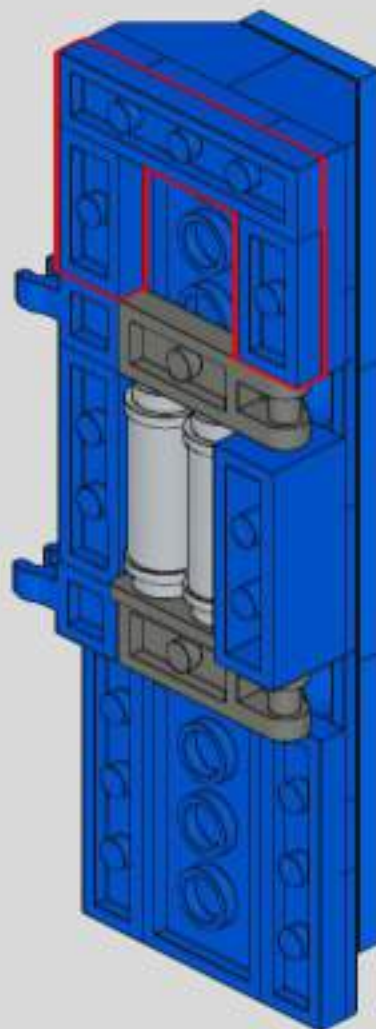
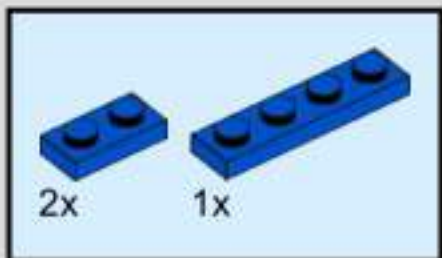
# 78



# 79

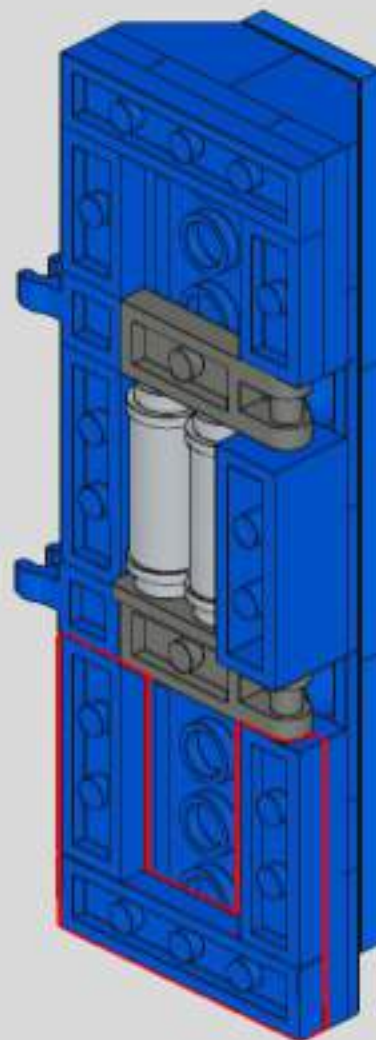
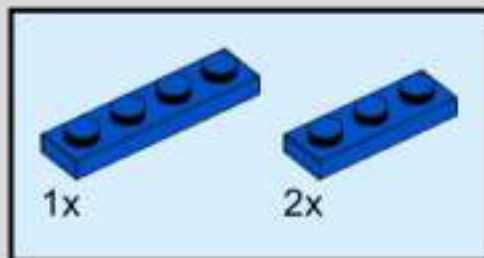


# 80

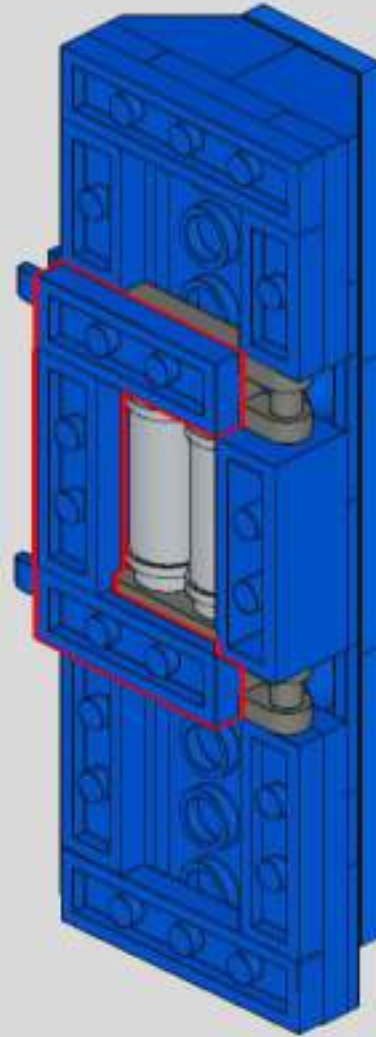
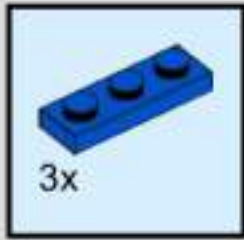




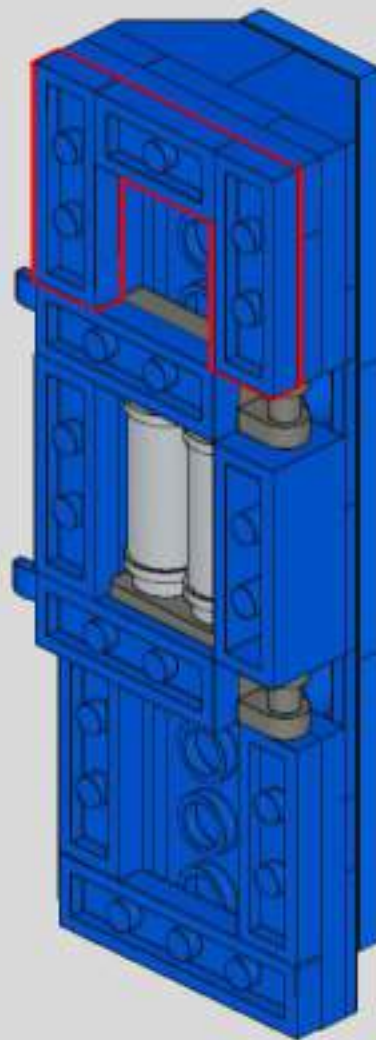
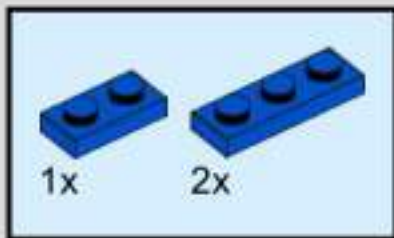
# 81



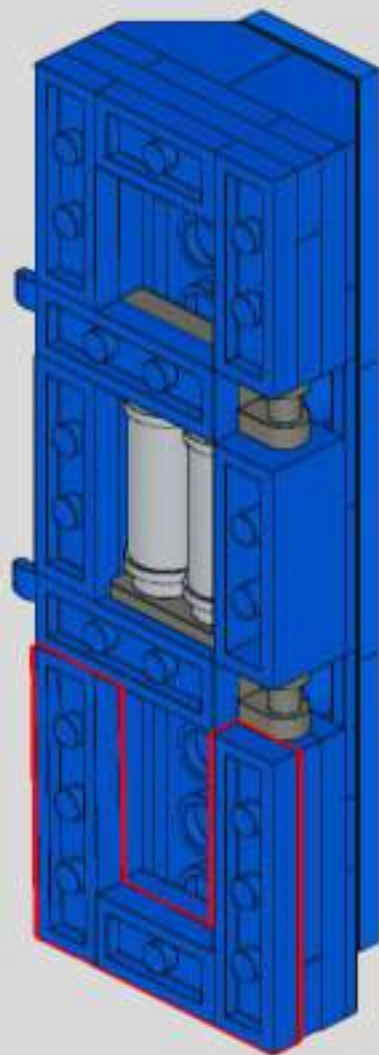
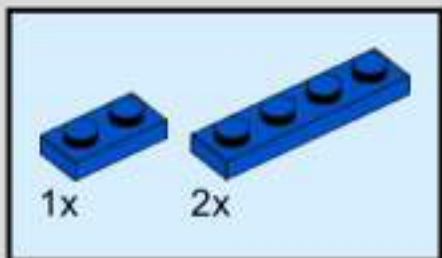
# 82



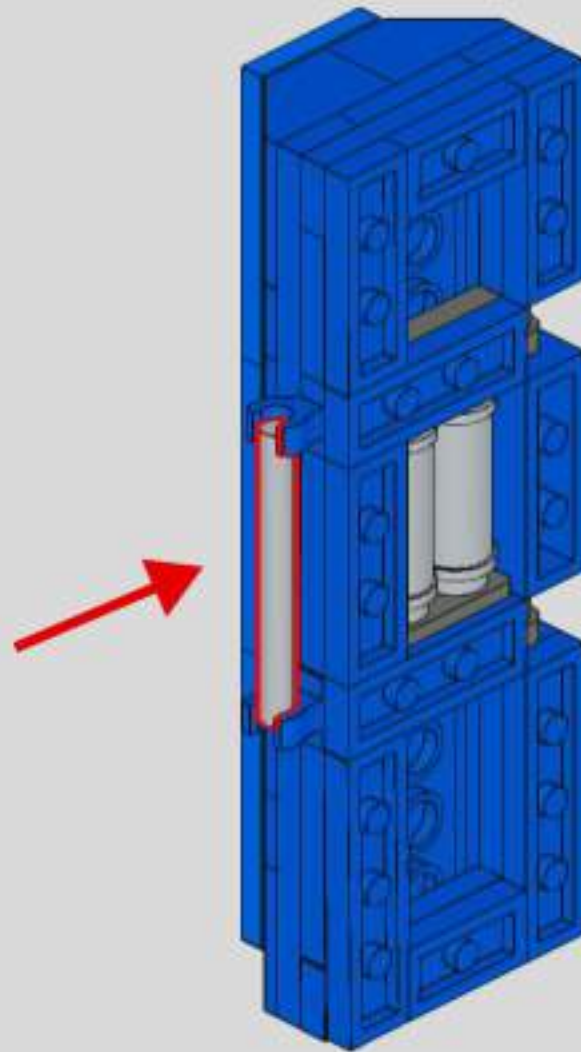
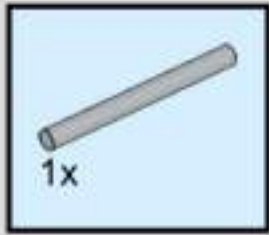
# 83



# 84



# 85



# 86

